

DEGSON 是专业工业连接器制造商，能为客户提供定制化的解决方案。
 DEGSON is a professional industrial connector manufacturer that offers customized solutions to customers.



圆形连接器



接线端子

宁波高松电子有限公司
 ISO9001 ISO14001 ISO80079-34 IATF16949



圆形连接器

宁波高松电子有限公司
 ISO9001 ISO14001 ISO80079-34 IATF16949



重载连接器

宁波高松电子有限公司
 ISO9001 ISO14001 ISO80079-34 IATF16949



充电连接器

宁波高松新能源科技有限公司
 ISO9001 ISO14001 ISO80079-34 IATF16949



线束

宁波高松电子有限公司
 ISO9001 ISO14001 ISO80079-34 IATF16949



定制化产品

宁波高松电子有限公司
 ISO9001 ISO14001 ISO80079-34 IATF16949

圆形连接器



CC-21-CE01

DEGSON
 宁波高松电子有限公司
 DEGSON ELECTRONICS CO.,LTD.

地址：中国宁波慈溪市道林大道1585号
 邮编：315321
 网址：www.degson.com
 The catalog is only for reference, and the detail data must be based on our company's specification!

电话：+86-574-63504333
 传真：+86-574-63512345
 邮箱：info@degson.com



高松官网



高松微信公众号

宁波高松电子有限公司
 DEGSON ELECTRONICS CO.,LTD.
 ISO9001 ISO14001 ISO80079-34 IATF16949



公司简介

DEGSON高松创建于1990年，是全球知名的工业连接器整体解决方案提供商、业内同时拥有美国UL和德国VDE认可专业实验室的企业，公司通过了ISO9001、ISO14001、ISO80079-34、ISO/TS22163和IATF16949管理体系认证，是国家高新技术企业。

DEGSON高松拥有行业领先的模具加工、自动化制造能力，配备先进的检测仪器和专业检测技术，打造高可靠性、高耐用性产品，服务全球用户；同时，我们具有强大的定制化能力，并根据全球客户个性化需求，提供专业的定制化解决方案，为客户提供增值服务。

DEGSON高松产品畅销中国、美国、德国、英国、意大利、西班牙、土耳其、俄罗斯、日本、韩国、新加坡等100多个国家和地区，为全球工业自动化、仪器仪表、电力电气、轨道交通、船舶、新能源、电梯、照明、安防、机械等行业，提供高品质产品和服务，获得了众多世界500强和行业龙头企业的认可。

DEGSON高松以“务实创新、责任诚信、和谐发展、规则共赢”的经营理念，不断整合全球专业技术资源，打造强大的研发创新、产品制造和技术应用能力，依托全球布局，提供系列化、多品种、多型号的高品质产品和服务，为全球客户提供专业、快捷的全连接应用解决方案，帮助客户持续创造价值，致力打造智慧互联世界。

Brief Introduction

Founded in 1990, DEGSON is a global solution provider of electrical, electronic and industrial connectors. As a National High-tech enterprise, DEGSON owns the UL and VDE certified laboratory. The company achieved ISO9001, ISO14001, ISO80079-34, ISO/TS22163 and IATF16949 management system certifications.

DEGSON is engaged in supplying highly reliable and durable products to serve global customers. The company has a market-leading capability of mould processing, automatic manufacturing and advanced testing. DEGSON has the complete engineering ability to support global customers with the professional customization solution and value-added service.

DEGSON products are widely recognized in China, the USA, Germany, the UK, Italy, Spain, Turkey, Russia, Japan, South Korea, Singapore, etc. totally hundred countries and regions. DEGSON supply high quality products and provide professional services globally in the industry sectors likely industrial automation, instrument, electric power, railway, marine and offshore, new energy, elevator, lighting, security, machinery, etc. The company won the recognition from partners among Fortune 500 and industry leading enterprises.

Based on the business philosophy of “pragmatic innovation, responsibility, integrity, harmonious development, regulation and win-win”, DEGSON continuously integrates professional technical resources, R&D innovation, product manufacturing and technology application capabilities. Relying on global sales network, DEGSON aims to supply series of multiple varieties of high-quality products and services. We provide global customers with professional and quick connected application solutions, help customers continue to create value. DEGSON is making contributions to creating a smart and interconnected world.



亚洲首家同时拥有美国UL、德国VDE认可的实验室 First UL & VDE Certified Laboratory in Asia

UL、VDE战略合作 Strategic cooperation with UL and VDE



① UL能源与科技全球事业部总经理来访我司

① The general manager of UL global energy & technology division visit our company



② VDE环球服务公司总裁 Sven Ohrke来我司商务洽谈战略合作
② Sven Ohrke, President of VDE global services, discusses mutual strategic cooperation in DEGSON



③ VDE实验室认可：2010年7月VDE正式向DEGSON颁发了“VDE认可实验室”证书。
UL实验室认可：2013年3月UL正式向DEGSON颁发“UL WTDP”证书。
2016年4月，UL颁发了CDTP实验室认可证书。
2016年12月，VDE颁发了TDAP实验室认可证书。
2017年1月，IRIS体系审核通过。
③ VDE Laboratory Accreditation: In July 2010, VDE issued the "VDE Authorized Laboratory" certificate to DEGSON laboratory.
UL laboratory accreditation: UL formally issued "UL WTDP" certificate to DEGSON in March 2013.
In April, 2016, UL-CTDP.
In December, 2016, VDE-TDAP.
In January, 2017, Pass IRIS system audit.



ISO9001



ISO14001



ISO22163



UL CTDP 实验室证书
UL - CTDP



VDE TDAP 实验室证书
VDE - TDAP



EX 证书
EX certificate



UL 证书号:E228872 1400种规格
UL File NO.:E228872 1400 items



166 VDE 证书 1000种规格
166 VDE certificates for 1000 items



TUV 证书
TUV certificate



EAC 证书
EAC certificate



CE 证书
CE certificate



中国发明专利证书
Chinese invention patent

目录 CONTENTS

圆形连接器系列，适用于工业环境的各种设备连接技术，可用于信号及功率传输，现场安装可提供屏蔽与非屏蔽两种规格。可根据客户不同需求开发定制相应产品。

Circular connector series which functions as signal and power transfer are applied to device connection in industrial environment. While shielded type and unshielded type of circular connector are used in field assembly. What's more, customized circular connectors can be designed according to customer's need.



M5 成型电缆 M5 overmolded with cable plug	03-06
M5 面板安装 M5 Panel mounting	07-16



M8 成型电缆 M8 overmolded with cable plug	19-28
M8 面板安装 M8 Panel mounting	29-46
M8 现场安装 M8 Field assembly	47-54



M12 成型电缆 M12 overmolded with cable plug	57-82
M12 面板安装 M12 Panel mounting	83-114
M12 现场安装 M12 Field assembly	115-138

目录 CONTENTS



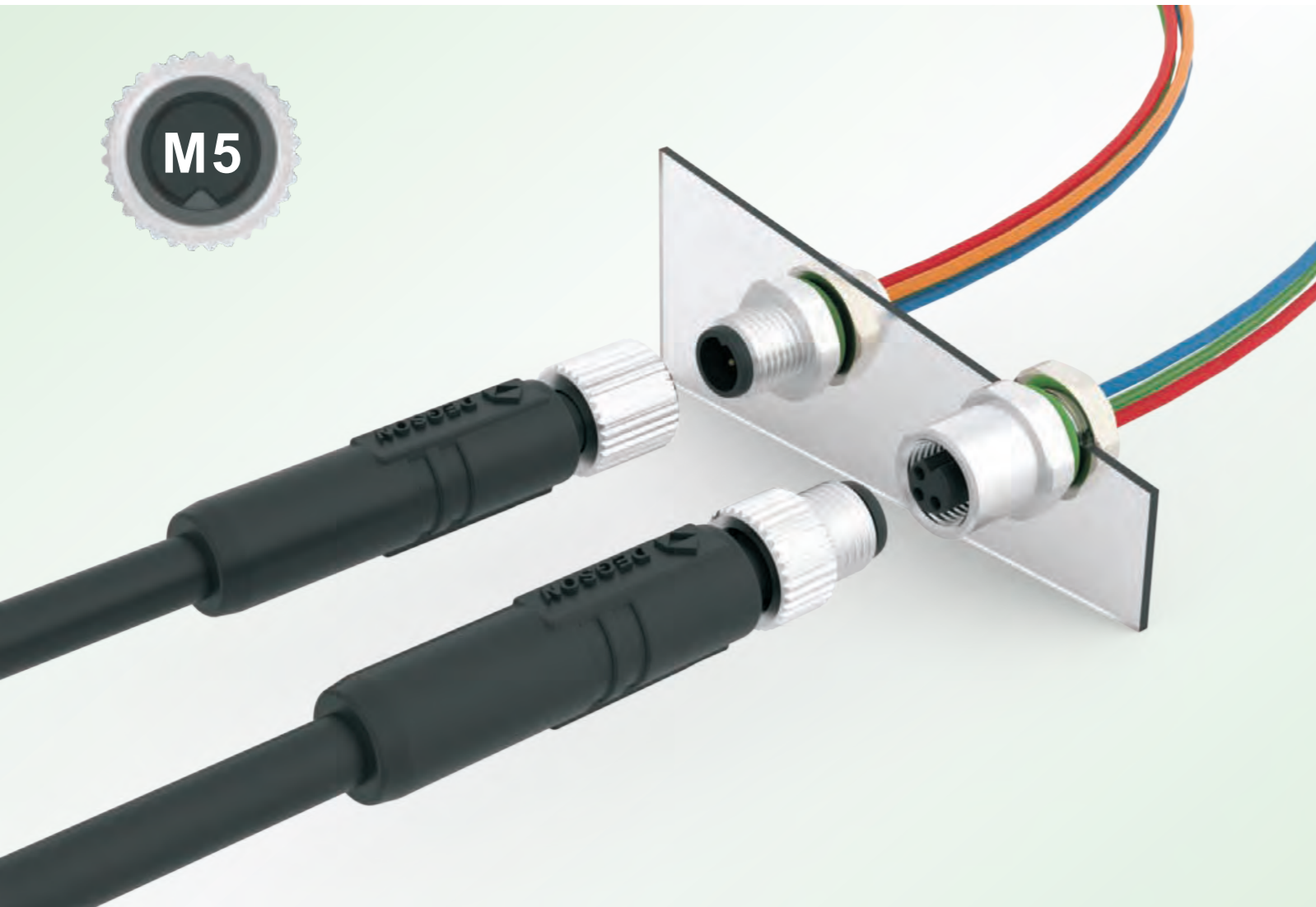
7/8 成型线缆 7/8 overmolded with cable plug	141-148
7/8 面板安装 7/8 Panel mounting	149-154



伺服连接器 Servo connector	156-158
-----------------------	---------



M8、M12 分配器 M8、M12 Distributor	160-164
-------------------------------	---------



优势

- 密封性较强，防护等级可达IP67。
- 微型连接器，占用空间小。
- 可选接线方式，适用于持续冲击、振动的应用环境。
- 可与市场同系列连接器互配。

Advantages

- Good sealing performance, with IP class up to IP 67.
- Micro connectors, save space.
- Suitable for continuous shock and vibration environment.
- compatible with same series connectors on the market.

特点

- 线缆材质：PUR，PVC。
- 防护等级：IP65，IP67。
- 接线方式可选。
- 符合IEC61076标准。

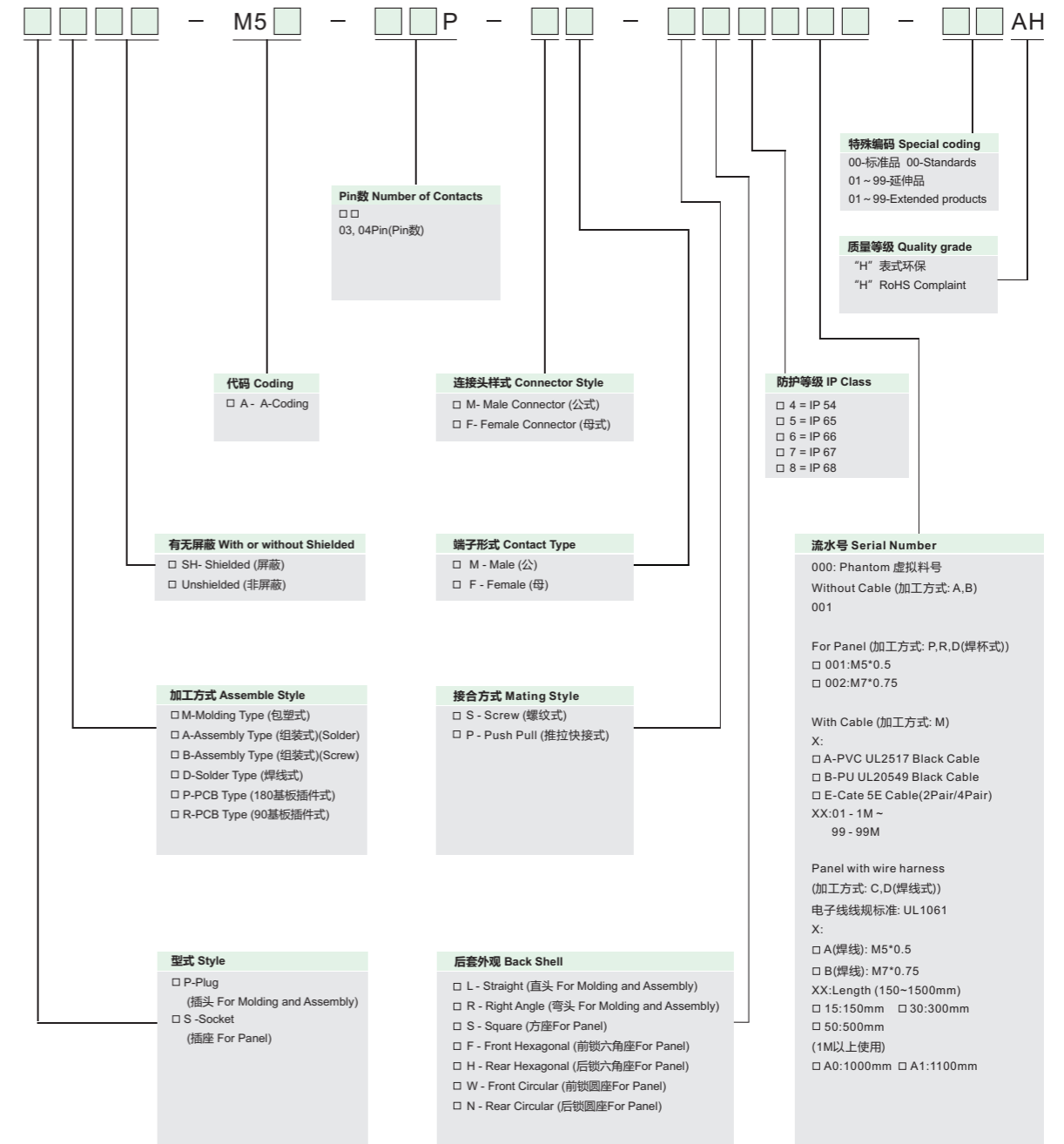
Features

- Cable material: PUR, PVC.
- IP-class: IP65, IP67.
- Wire connection method is optional.
- Compliance with IEC 61076 standard.



圆形连接器编码规则 Circular Connectors Part Number

圆形连接器成品品名编码规则 Circular Connectors Part Number Reference



例如：

1.M5孔式插头4Pin：PM-M5A-04P-FF-SL7A01-00A(H)

表示：线端包塑，M5 A-Coding，4Pin，母座母Pin，螺纹锁合，直头，防水等级IP67，PVC黑色外被UL2517线缆，长度1.0M，标准品。

2.去掉“-”、“小数点”、“()”、“空格”即为成品料号，如：PMM5A04PFFSL7A0100A(H)

For example:

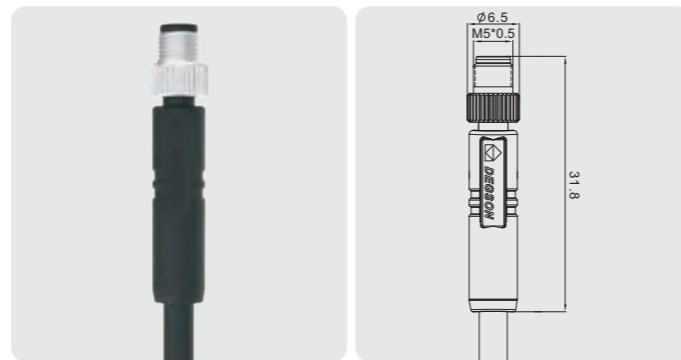
1. M5 female plug 4Pin: PM-M5A-04P-FF-SL7A01-00A(H)

Details: Plastic covered at the end of wire, M5 A-Coding, 4Pin, female socket female Pin, thread locked, straight head, IP67, PVC black jacket. Covered by UL2517 wire, the length of 1.0M, standard products.

2. Delete "-", "decimal point", "()", "space", then it's the finish product number, such as: PMM5A04PFFSL7A0100A(H)

M5 x 0.5 针式成型电缆插头，单端，非屏蔽，直头。

M5 x 0.5 Male Overmolded with Cable plug, Single end, Unshielded, Straight.

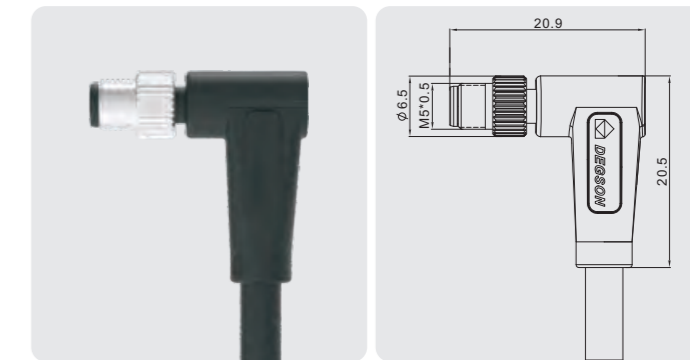

技术数据 Technical Data

标准 Standard	IEC 61076	端子载体材料 Contact carriers material	PU
系列 Series	M5, Male, Straight	端子材料 Contact material	Copper Alloy, Gold-plated
Pin针数量 Number of Pins	03,04 Pin	金属螺母 Metal of nut	Copper Alloy with Nickel Plated
额定电流 Rated Current	1A max.	胶圈 Seal	Silicone
额定电压 Rated voltage	60V max.	电缆外皮材料 Cable jacket material	PUR / PVC
绝缘电阻 Insulation resistance	≥100MΩ	屏蔽 Shielding	Unshielded
接触电阻 Contact resistance	≤5mΩ	机械寿命 Mechanical life	> 100 mating cycles
运行温度 Ambient temperature	- 25 ~ + 80°C	—	—
防护等级 IP Class	IP67	—	—

针数 Number of Pins		03 Pin	04 Pin
编码 Coding	编码 Coded	A-Coded	A-Coded
	正面图 Front View		
额定电流 Rated current	A.	1A	1A
额定电压 Rated voltage	V.	60V	60V
电线电缆 Wire/Cable	线规 Wire gauge	26AWG	26AWG
	横截面 Cross section	0.14mm ²	0.14mm ²
	接线表 Wiring list	1.BN 3.BU 4.BK	1.BN 2.WH 3.BU 4.BK
描述 Description	订单号 Order NO.	订单号 Order NO.	订单号 Order NO.
PVC	1m	PM-M5A-03P-MM-SL7A01-00AH	PM-M5A-04P-MM-SL7A01-00AH
	3m	PM-M5A-03P-MM-SL7A03-00AH	PM-M5A-04P-MM-SL7A03-00AH
	5m	PM-M5A-03P-MM-SL7A05-00AH	PM-M5A-04P-MM-SL7A05-00AH
	定制化 Customized
PUR	1m	PM-M5A-03P-MM-SL7B01-00AH	PM-M5A-04P-MM-SL7B01-00AH
	3m	PM-M5A-03P-MM-SL7B03-00AH	PM-M5A-04P-MM-SL7B03-00AH
	5m	PM-M5A-03P-MM-SL7B05-00AH	PM-M5A-04P-MM-SL7B05-00AH
	定制化 Customized

M5 x 0.5 针式成型电缆插头，单端，非屏蔽，弯头。

M5 x 0.5 Male Overmolded with Cable plug, Single end, Unshielded, Angled.

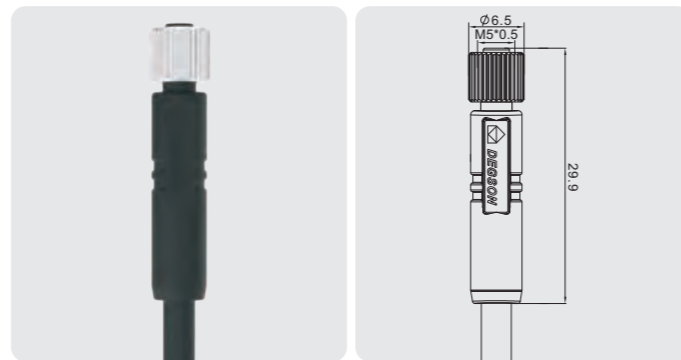

技术数据 Technical Data

标准 Standard	IEC 61076	端子载体材料 Contact carriers material	PU
系列 Series	M5, Male, Angled	端子材料 Contact material	Copper Alloy, Gold-plated
Pin针数量 Number of Pins	03,04 Pin	金属螺母 Metal of nut	Copper Alloy with Nickel Plated
额定电流 Rated Current	1A max.	胶圈 Seal	Silicone
额定电压 Rated voltage	60V max.	电缆外皮材料 Cable jacket material	PUR / PVC
绝缘电阻 Insulation resistance	≥100MΩ	屏蔽 Shielding	Unshielded
接触电阻 Contact resistance	≤5mΩ	机械寿命 Mechanical life	> 100 mating cycles
运行温度 Ambient temperature	- 25 ~ + 80°C	—	—
防护等级 IP Class	IP67	—	—

针数 Number of Pins		03 Pin	04 Pin
编码 Coding	编码 Coded	A-Coded	A-Coded
	正面图 Front View		
额定电流 Rated current	A.	1A	1A
额定电压 Rated voltage	V.	60V	60V
电线电缆 Wire/Cable	线规 Wire gauge	26AWG	26AWG
	横截面 Cross section	0.14mm ²	0.14mm ²
	接线表 Wiring list	1.BN 3.BU 4.BK	1.BN 2.WH 3.BU 4.BK
描述 Description	订单号 Order NO.	订单号 Order NO.	订单号 Order NO.
PVC	1m	PM-M5A-03P-MM-SR7A01-00AH	PM-M5A-04P-MM-SR7A01-00AH
	3m	PM-M5A-03P-MM-SR7A03-00AH	PM-M5A-04P-MM-SR7A03-00AH
	5m	PM-M5A-03P-MM-SR7A05-00AH	PM-M5A-04P-MM-SR7A05-00AH
	定制化 Customized
PUR	1m	PM-M5A-03P-MM-SR7B01-00AH	PM-M5A-04P-MM-SR7B01-00AH
	3m	PM-M5A-03P-MM-SR7B03-00AH	PM-M5A-04P-MM-SR7B03-00AH
	5m	PM-M5A-03P-MM-SR7B05-00AH	PM-M5A-04P-MM-SR7B05-00AH
	定制化 Customized

M5 x 0.5 孔式成型电缆插头，单端，非屏蔽，直头。

M5 x 0.5 Female Overmolded with Cable plug, Single end, Unshielded, Straight.

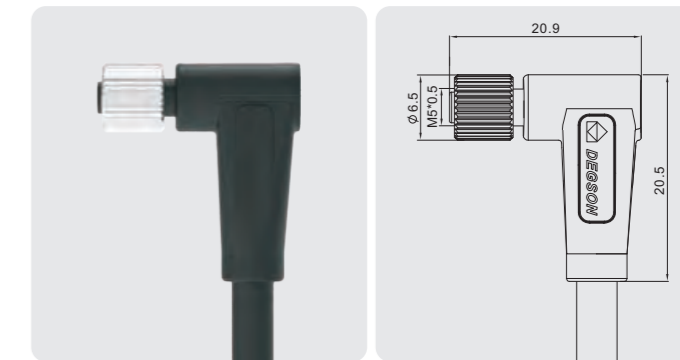

技术数据 Technical Data

标准 Standard	IEC 61076	端子载体材料 Contact carriers material	PU
系列 Series	M5, Female, Straight	端子材料 Contact material	Copper Alloy, Gold-plated
Pin针数量 Number of Pins	03,04 Pin	金属螺母 Metal of nut	Copper Alloy with Nickel Plated
额定电流 Rated Current	1A max.	胶圈 Seal	Silicone
额定电压 Rated voltage	60V max.	电缆外皮材料 Cable jacket material	PUR / PVC
绝缘电阻 Insulation resistance	≥100MΩ	屏蔽 Shielding	Unshielded
接触电阻 Contact resistance	≤5mΩ	机械寿命 Mechanical life	> 100 mating cycles
运行温度 Ambient temperature	- 25 ~ + 80°C	—	—
防护等级 IP Class	IP67	—	—

针数 Number of Pins		03 Pin	04 Pin
编码 Coding	编码 Coded	A-Coded	A-Coded
	正面图 Front View		
额定电流 Rated current	A.	1A	1A
额定电压 Rated voltage	V.	60V	60V
电线电缆 Wire/Cable	线规 Wire gauge	26AWG	26AWG
	横截面 Cross section	0.14mm ²	0.14mm ²
	接线表 Wiring list	1.BN 3.BU 4.BK	1.BN 2.WH 3.BU 4.BK
描述 Description	订单号 Order NO.	订单号 Order NO.	订单号 Order NO.
PVC	1m	PM-M5A-03P-FF-SL7A01-00AH	PM-M5A-04P-FF-SL7A01-00AH
	3m	PM-M5A-03P-FF-SL7A03-00AH	PM-M5A-04P-FF-SL7A03-00AH
	5m	PM-M5A-03P-FF-SL7A05-00AH	PM-M5A-04P-FF-SL7A05-00AH
	定制化 Customized
PUR	1m	PM-M5A-03P-FF-SL7B01-00AH	PM-M5A-04P-FF-SL7B01-00AH
	3m	PM-M5A-03P-FF-SL7B03-00AH	PM-M5A-04P-FF-SL7B03-00AH
	5m	PM-M5A-03P-FF-SL7B05-00AH	PM-M5A-04P-FF-SL7B05-00AH
	定制化 Customized

M5 x 0.5 孔式成型电缆插头，单端，非屏蔽，弯头。

M5 x 0.5 Female Overmolded with Cable plug, Single end, Unshielded, Angled.

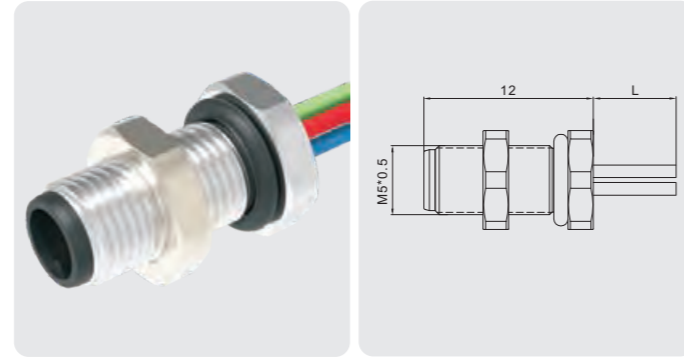

技术数据 Technical Data

标准 Standard	IEC 61076	端子载体材料 Contact carriers material	PU
系列 Series	M5, Female, Angled	端子材料 Contact material	Copper Alloy, Gold-plated
Pin针数量 Number of Pins	03,04 Pin	金属螺母 Metal of nut	Copper Alloy with Nickel Plated
额定电流 Rated Current	1A max.	胶圈 Seal	Silicone
额定电压 Rated voltage	60V max.	电缆外皮材料 Cable jacket material	PUR / PVC
绝缘电阻 Insulation resistance	≥100MΩ	屏蔽 Shielding	Unshielded
接触电阻 Contact resistance	≤5mΩ	机械寿命 Mechanical life	> 100 mating cycles
运行温度 Ambient temperature	- 25 ~ + 80°C	—	—
防护等级 IP Class	IP67	—	—

针数 Number of Pins		03 Pin	04 Pin
编码 Coding	编码 Coded	A-Coded	A-Coded
	正面图 Front View		
额定电流 Rated current	A.	1A	1A
额定电压 Rated voltage	V.	60V	60V
电线电缆 Wire/Cable	线规 Wire gauge	26AWG	26AWG
	横截面 Cross section	0.14mm ²	0.14mm ²
	接线表 Wiring list	1.BN 3.BU 4.BK	1.BN 2.WH 3.BU 4.BK
描述 Description	订单号 Order NO.	订单号 Order NO.	订单号 Order NO.
PVC	1m	PM-M5A-03P-FF-SR7A01-00AH	PM-M5A-04P-FF-SR7A01-00AH
	3m	PM-M5A-03P-FF-SR7A03-00AH	PM-M5A-04P-FF-SR7A03-00AH
	5m	PM-M5A-03P-FF-SR7A05-00AH	PM-M5A-04P-FF-SR7A05-00AH
	定制化 Customized
PUR	1m	PM-M5A-03P-FF-SR7B01-00AH	PM-M5A-04P-FF-SR7B01-00AH
	3m	PM-M5A-03P-FF-SR7B03-00AH	PM-M5A-04P-FF-SR7B03-00AH
	5m	PM-M5A-03P-FF-SR7B05-00AH	PM-M5A-04P-FF-SR7B05-00AH
	定制化 Customized

M5 x 0.5 针式面板安装插座，板后安装，带0.5m导线。

M5 x 0.5 Male Panel Mount Receptacle, Rear Mounting, with 0.5m wires.



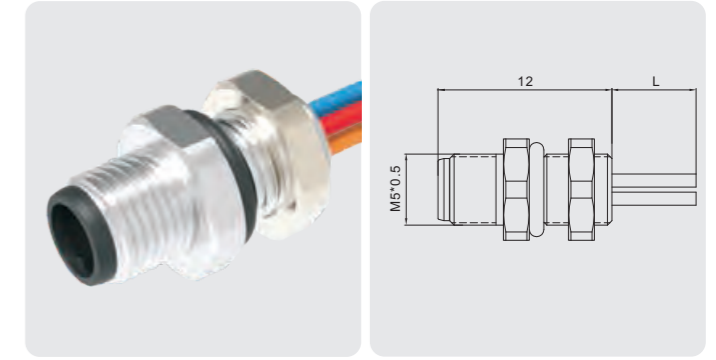
技术数据 Technical Data

标准 Standard	IEC 61076	端子载体材料 Contact carriers material	PA
系列 Series	M5, Male	端子材料 Contact material	Copper Alloy, Gold-plated
Pin针数量 Number of Pins	03,04 Pin	金属螺母 Metal of nut	Copper Alloy with Nickel Plated
额定电流 Rated Current	1A max.	胶圈 Seal	Silicone
额定电压 Rated voltage	60V max.	屏蔽 Shielding	Unshielded
绝缘电阻 Insulation resistance	≥100MΩ	机械寿命 Mechanical life	> 100 mating cycles
接触电阻 Contact resistance	≤5mΩ	—	—
运行温度 Ambient temperature	- 40 ~ +85°C	—	—
防护等级 IP Class	IP67	—	—

针数 Number of Pins		03 Pin	04 Pin
编码 Coding	编码 Coded	A-Coded	A-Coded
	正面图 Front View		
额定电流 Rated current	A.	1A	1A
额定电压 Rated voltage	V.	60V	60V
电线电缆 Wire/Cable	线规 Wire gauge	26AWG	26AWG
	横截面 Cross section	0.14mm ²	0.14mm ²
	接线表 Wiring list	1.BN 3.BU 4.BK	1.BN 2.WH 3.BU 4.BK
描述 Description	订单号 Order NO .	订单号 Order NO .	订单号 Order NO .
0.5m	SD-M5A-03P-MM-SF7A50-00AH	SD-M5A-04P-MM-SF7A50-00AH	SD-M5A-04P-MM-SH7A50-00AH
定制化 Customized

M5 x 0.5 针式面板安装插座，板前安装，带0.5m导线。

M5 x 0.5 Male Panel Mount Receptacle, Front Mounting, with 0.5m wires.



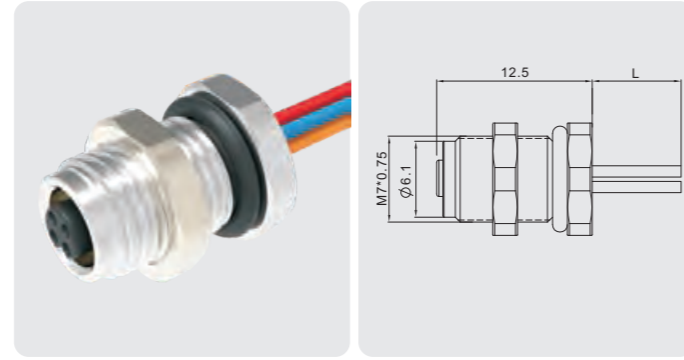
技术数据 Technical Data

标准 Standard	IEC 61076	端子载体材料 Contact carriers material	PA
系列 Series	M5, Male	端子材料 Contact material	Copper Alloy, Gold-plated
Pin针数量 Number of Pins	03,04 Pin	金属螺母 Metal of nut	Copper Alloy with Nickel Plated
额定电流 Rated Current	1A max.	胶圈 Seal	Silicone
额定电压 Rated voltage	60V max.	屏蔽 Shielding	Unshielded
绝缘电阻 Insulation resistance	≥100MΩ	机械寿命 Mechanical life	> 100 mating cycles
接触电阻 Contact resistance	≤5mΩ	—	—
运行温度 Ambient temperature	- 40 ~ +85°C	—	—
防护等级 IP Class	IP67	—	—

针数 Number of Pins		03 Pin	04 Pin
编码 Coding	编码 Coded	A-Coded	A-Coded
	正面图 Front View		
额定电流 Rated current	A.	1A	1A
额定电压 Rated voltage	V.	60V	60V
电线电缆 Wire/Cable	线规 Wire gauge	26AWG	26AWG
	横截面 Cross section	0.14mm ²	0.14mm ²
	接线表 Wiring list	1.BN 3.BU 4.BK	1.BN 2.WH 3.BU 4.BK
描述 Description	订单号 Order NO .	订单号 Order NO .	订单号 Order NO .
0.5m	SD-M5A-03P-MM-SH7A50-00AH	SD-M5A-04P-MM-SH7A50-00AH	SD-M5A-04P-MM-SH7A50-00AH
定制化 Customized

M5 x 0.5 孔式面板安装插座，板后安装，带0.5m导线。

M5 x 0.5 Female Panel Mount Receptacle, Rear Mounting, with 0.5m wires.



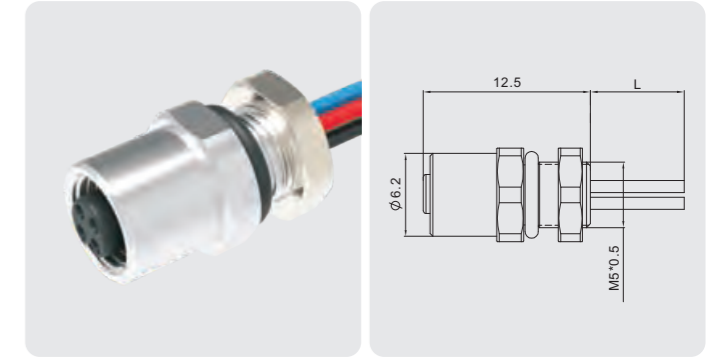
技术数据 Technical Data

标准 Standard	IEC 61076	端子载体材料 Contact carriers material	PA
系列 Series	M5, Female	端子材料 Contact material	Copper Alloy, Gold-plated
Pin针数量 Number of Pins	03,04 Pin	金属螺母 Metal of nut	Copper Alloy with Nickel Plated
额定电流 Rated Current	1A max.	胶圈 Seal	Silicone
额定电压 Rated voltage	60V max.	屏蔽 Shielding	Unshielded
绝缘电阻 Insulation resistance	≥100MΩ	机械寿命 Mechanical life	> 100 mating cycles
接触电阻 Contact resistance	≤5mΩ	—	—
运行温度 Ambient temperature	- 40 ~ +85°C	—	—
防护等级 IP Class	IP67	—	—

针数 Number of Pins		03 Pin	04 Pin
编码 Coding	编码 Coded	A-Coded	A-Coded
	正面图 Front View		
额定电流 Rated current	A.	1A	1A
额定电压 Rated voltage	V.	60V	60V
电线电缆 Wire/Cable	线规 Wire gauge	26AWG	26AWG
	横截面 Cross section	0.14mm ²	0.14mm ²
	接线表 Wiring list	1.BN 3.BU 4.BK	1.BN 2.WH 3.BU 4.BK
描述 Description	订单号 Order NO .	订单号 Order NO .	订单号 Order NO .
0.5m	SD-M5A-03P-FF-SF7B50-00AH	SD-M5A-04P-FF-SF7B50-00AH	SD-M5A-04P-FF-SH7A50-00AH
定制化 Customized

M5 x 0.5 孔式面板安装插座，板前安装，带0.5m导线。

M5 x 0.5 Female Panel Mount Receptacle, Front Mounting, with 0.5m wires.



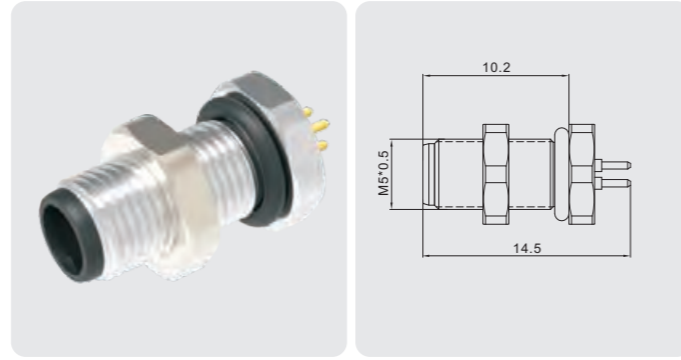
技术数据 Technical Data

标准 Standard	IEC 61076	端子载体材料 Contact carriers material	PA
系列 Series	M5, Female	端子材料 Contact material	Copper Alloy, Gold-plated
Pin针数量 Number of Pins	03,04 Pin	金属螺母 Metal of nut	Copper Alloy with Nickel Plated
额定电流 Rated Current	1A max.	胶圈 Seal	Silicone
额定电压 Rated voltage	60V max.	屏蔽 Shielding	Unshielded
绝缘电阻 Insulation resistance	≥100MΩ	机械寿命 Mechanical life	> 100 mating cycles
接触电阻 Contact resistance	≤5mΩ	—	—
运行温度 Ambient temperature	- 40 ~ +85°C	—	—
防护等级 IP Class	IP67	—	—

针数 Number of Pins		03 Pin	04 Pin
编码 Coding	编码 Coded	A-Coded	A-Coded
	正面图 Front View		
额定电流 Rated current	A.	1A	1A
额定电压 Rated voltage	V.	60V	60V
电线电缆 Wire/Cable	线规 Wire gauge	26AWG	26AWG
	横截面 Cross section	0.14mm ²	0.14mm ²
	接线表 Wiring list	1.BN 3.BU 4.BK	1.BN 2.WH 3.BU 4.BK
描述 Description	订单号 Order NO .	订单号 Order NO .	订单号 Order NO .
0.5m	SD-M5A-03P-FF-SH7A50-00AH	SD-M5A-04P-FF-SH7A50-00AH	SD-M5A-04P-FF-SH7A50-00AH
定制化 Customized

M5 x 0.5 针式面板安装插座，板后安装，非屏蔽，PCB焊接。

M5x0.5 Male Panel Mount Receptacle, Rear Mounting, Unshielded, PCB Soldering.

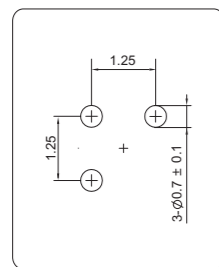


技术数据 Technical Data

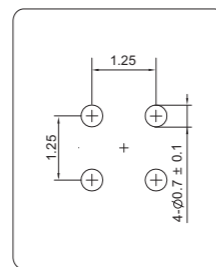
标准 Standard	IEC 61076	端子载体材料 Contact carriers material	PA
系列 Series	M5, Male	端子材料 Contact material	Copper Alloy, Gold-plated
Pin针数量 Number of Pins	03,04 Pin	金属螺母 Metal of nut	Copper Alloy with Nickel Plated
额定电流 Rated Current	1A max.	胶圈 Seal	Silicone
额定电压 Rated voltage	60V max.	屏蔽 Shielding	Unshielded
绝缘电阻 Insulation resistance	≥100MΩ	机械寿命 Mechanical life	> 100 mating cycles
接触电阻 Contact resistance	≤5mΩ	—	—
运行温度 Ambient temperature	- 40 ~ +85°C	—	—
防护等级 IP Class	IP67	—	—

针数 Number of Pins		03 Pin	04 Pin
编码 Coding	编码 Coded	A-Coded	A-Coded
	正面图 Front View		
额定电流 Rated current	A.	1A	1A
额定电压 Rated voltage	V.	60V	60V
描述 Description		订单号 Order NO .	订单号 Order NO .
—		SP-M5A-03P-MM-SF7001-00AH	SP-M5A-04P-MM-SF7001-00AH

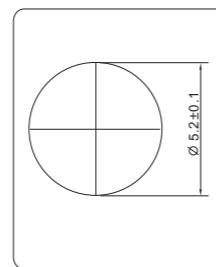
尺寸图 Dimension Figure



PCB 排布
PCB Layout



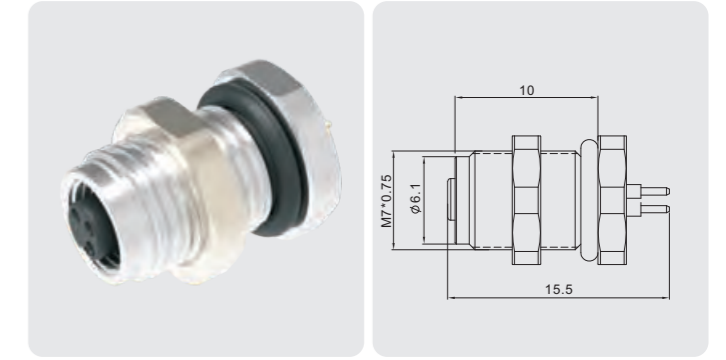
PCB 排布
PCB Layout



安装尺寸
Panel Cut-Out

M5 x 0.5 孔式面板安装插座，板后安装，非屏蔽，PCB焊接。

M5 x 0.5 Female Panel Mount Receptacle, Rear Mounting, Unshielded, PCB Soldering.

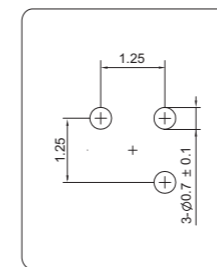


技术数据 Technical Data

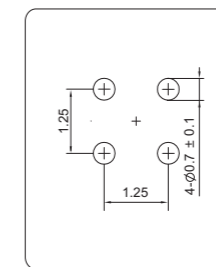
标准 Standard	IEC 61076	端子载体材料 Contact carriers material	PA
系列 Series	M5, Female	端子材料 Contact material	Copper Alloy, Gold-plated
Pin针数量 Number of Pins	03,04 Pin	金属螺母 Metal of nut	Copper Alloy with Nickel Plated
额定电流 Rated Current	1A max.	胶圈 Seal	Silicone
额定电压 Rated voltage	60V max.	屏蔽 Shielding	Unshielded
绝缘电阻 Insulation resistance	≥100MΩ	机械寿命 Mechanical life	> 100 mating cycles
接触电阻 Contact resistance	≤5mΩ	—	—
运行温度 Ambient temperature	- 40 ~ +85°C	—	—
防护等级 IP Class	IP67	—	—

针数 Number of Pins		03 Pin	04 Pin
编码 Coding	编码 Coded	A-Coded	A-Coded
	正面图 Front View		
额定电流 Rated current	A.	1A	1A
额定电压 Rated voltage	V.	60V	60V
描述 Description		订单号 Order NO .	订单号 Order NO .
—		SP-M5A-03P-FF-SF7002-00AH	SP-M5A-04P-FF-SF7002-00AH

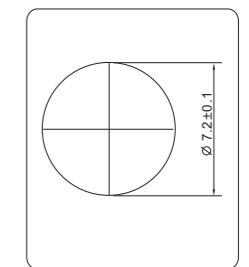
尺寸图 Dimension Figure



PCB 排布
PCB Layout



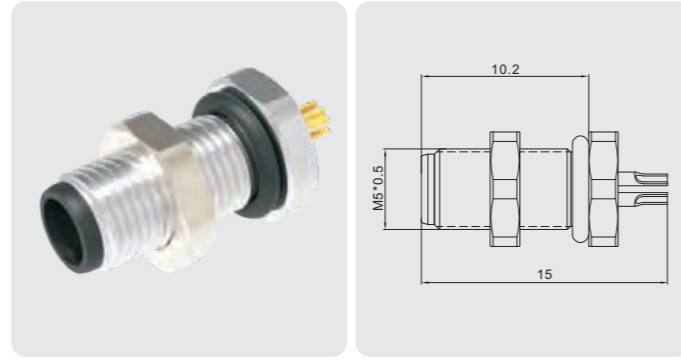
PCB 排布
PCB Layout



安装尺寸
Panel Cut-Out

M5 x 0.5 针式面板安装插座，板后安装，非屏蔽，焊杯不带线。

M5x0.5 Male Panel Mount Receptacle, Rear Mounting, Unshielded, Soldering without wire.

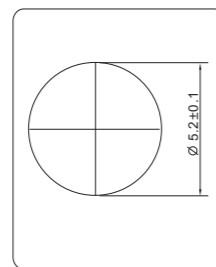


技术数据 Technical Data

标准 Standard	IEC 61076	端子载体材料 Contact carriers material	PA
系列 Series	M5, Male	端子材料 Contact material	Copper Alloy, Gold-plated
Pin针数量 Number of Pins	03,04 Pin	金属螺母 Metal of nut	Copper Alloy with Nickel Plated
额定电流 Rated Current	1A max.	胶圈 Seal	Silicone
额定电压 Rated voltage	60V max.	屏蔽 Shielding	Unshielded
绝缘电阻 Insulation resistance	≥100MΩ	机械寿命 Mechanical life	> 100 mating cycles
接触电阻 Contact resistance	≤5mΩ	—	—
运行温度 Ambient temperature	- 40 ~ +85°C	—	—
防护等级 IP Class	IP67	—	—

针数 Number of Pins		03 Pin	04 Pin
编码 Coding	编码 Coded	A-Coded	A-Coded
	正面图 Front View		
额定电流 Rated current	A.	1A	1A
额定电压 Rated voltage	V.	60V	60V
描述 Description		订单号 Order NO .	订单号 Order NO .
—		SD-M5A-03P-MM-SF7001-00AH	SD-M5A-04P-MM-SF7001-00AH

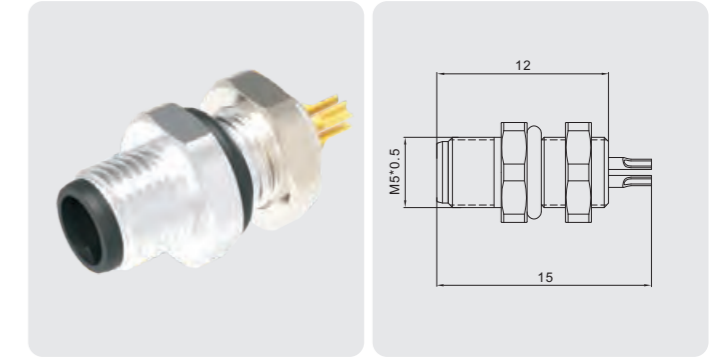
尺寸图 Dimension Figure



安装尺寸
Panel Cut-Out

M5 x 0.5 针式面板安装插座，板前安装，非屏蔽，焊杯不带线。

M5x0.5 Male Panel Mount Receptacle, Front Mounting, Unshielded, Soldering without wire.

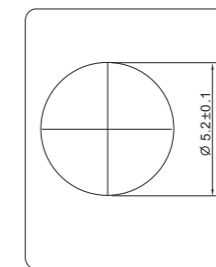


技术数据 Technical Data

标准 Standard	IEC 61076	端子载体材料 Contact carriers material	PA
系列 Series	M5, Male	端子材料 Contact material	Copper Alloy, Gold-plated
Pin针数量 Number of Pins	03,04 Pin	金属螺母 Metal of nut	Copper Alloy with Nickel Plated
额定电流 Rated Current	1A max.	胶圈 Seal	Silicone
额定电压 Rated voltage	60V max.	屏蔽 Shielding	Unshielded
绝缘电阻 Insulation resistance	≥100MΩ	机械寿命 Mechanical life	> 100 mating cycles
接触电阻 Contact resistance	≤5mΩ	—	—
运行温度 Ambient temperature	- 40 ~ +85°C	—	—
防护等级 IP Class	IP67	—	—

针数 Number of Pins		03 Pin	04 Pin
编码 Coding	编码 Coded	A-Coded	A-Coded
	正面图 Front View		
额定电流 Rated current	A.	1A	1A
额定电压 Rated voltage	V.	60V	60V
描述 Description		订单号 Order NO .	订单号 Order NO .
—		SD-M5A-03P-MM-SH7001-00AH	SD-M5A-04P-MM-SH7001-00AH

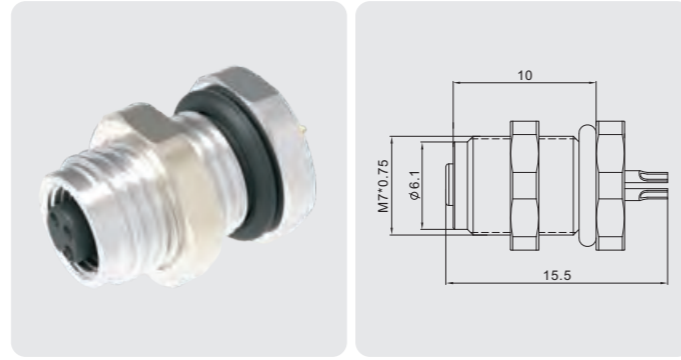
尺寸图 Dimension Figure



安装尺寸
Panel Cut-Out

M5 x 0.5 孔式面板安装插座，板后安装，非屏蔽，焊杯不带线。

M5x0.5 Female Panel Mount Receptacle, Rear Mounting, Unshielded, Soldering without wire.

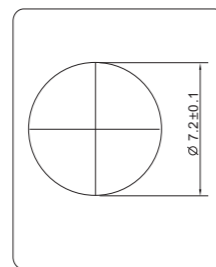


技术数据 Technical Data

标准 Standard	IEC 61076	端子载体材料 Contact carriers material	PA
系列 Series	M5, Female	端子材料 Contact material	Copper Alloy, Gold-plated
Pin针数量 Number of Pins	03,04 Pin	金属螺母 Metal of nut	Copper Alloy with Nickel Plated
额定电流 Rated Current	1A max.	胶圈 Seal	Silicone
额定电压 Rated voltage	60V max.	屏蔽 Shielding	Unshielded
绝缘电阻 Insulation resistance	≥100MΩ	机械寿命 Mechanical life	> 100 mating cycles
接触电阻 Contact resistance	≤5mΩ	—	—
运行温度 Ambient temperature	- 40 ~ +85°C	—	—
防护等级 IP Class	IP67	—	—

针数 Number of Pins		03 Pin	04 Pin
编码 Coding	编码 Coded	A-Coded	A-Coded
	正面图 Front View		
额定电流 Rated current	A.	1A	1A
额定电压 Rated voltage	V.	60V	60V
描述 Description	—	订单号 Order NO .	订单号 Order NO .
—	—	SD-M5A-03P-FF-SF7002-00AH	SD-M5A-04P-FF-SF7002-00AH

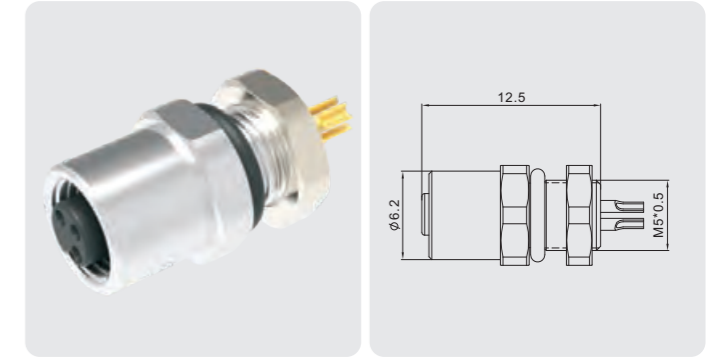
尺寸图 Dimension Figure



安装尺寸 Panel Cut-Out

M5 x 0.5 孔式面板安装插座，板前安装，非屏蔽，焊杯不带线。

M5 x 0.5 Female Panel Mount Receptacle, Front Mounting, Unshielded, Soldering without wire.

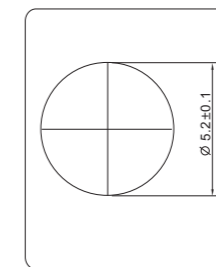


技术数据 Technical Data

标准 Standard	IEC 61076	端子载体材料 Contact carriers material	PA
系列 Series	M5, Female	端子材料 Contact material	Copper Alloy, Gold-plated
Pin针数量 Number of Pins	03,04 Pin	金属螺母 Metal of nut	Copper Alloy with Nickel Plated
额定电流 Rated Current	1A max.	胶圈 Seal	Silicone
额定电压 Rated voltage	60V max.	屏蔽 Shielding	Unshielded
绝缘电阻 Insulation resistance	≥100MΩ	机械寿命 Mechanical life	> 100 mating cycles
接触电阻 Contact resistance	≤5mΩ	—	—
运行温度 Ambient temperature	- 40 ~ +85°C	—	—
防护等级 IP Class	IP67	—	—

针数 Number of Pins		03 Pin	04 Pin
编码 Coding	编码 Coded	A-Coded	A-Coded
	正面图 Front View		
额定电流 Rated current	A.	1A	1A
额定电压 Rated voltage	V.	60V	60V
描述 Description	—	订单号 Order NO .	订单号 Order NO .
—	—	SD-M5A-03P-FF-SH7001-00AH	SD-M5A-04P-FF-SH7001-00AH

尺寸图 Dimension Figure



安装尺寸 Panel Cut-Out



优势

- 密封性强, 防护性能可达IP67。
- 外形尺寸优化, 占用空间有限。
- 可选全方位屏蔽, 提供可靠的电磁保护。
- 可选接线方式, 适用于持续冲击、振动的应用环境。
- 适用于各种场合的连接技术。
- 可与市场同系列连接器互配。

Advantages

- Good sealing performance ,with IP class up to IP 67.
- Dimension optimization,save space.
- Shield is optional,provide reliable electromagnetic protection.
- Wire connection method is optional, suitable for continuous shock and vibration environment.
- Connection technology is suitable for all application field.
- Compatible with same series connectors on the market.

特点

- 线缆材质: PUR, PVC。
- 防护等级: IP67, IP68。
- 屏蔽可选。
- 接线方式可选。
- 符合IEC61076标准。

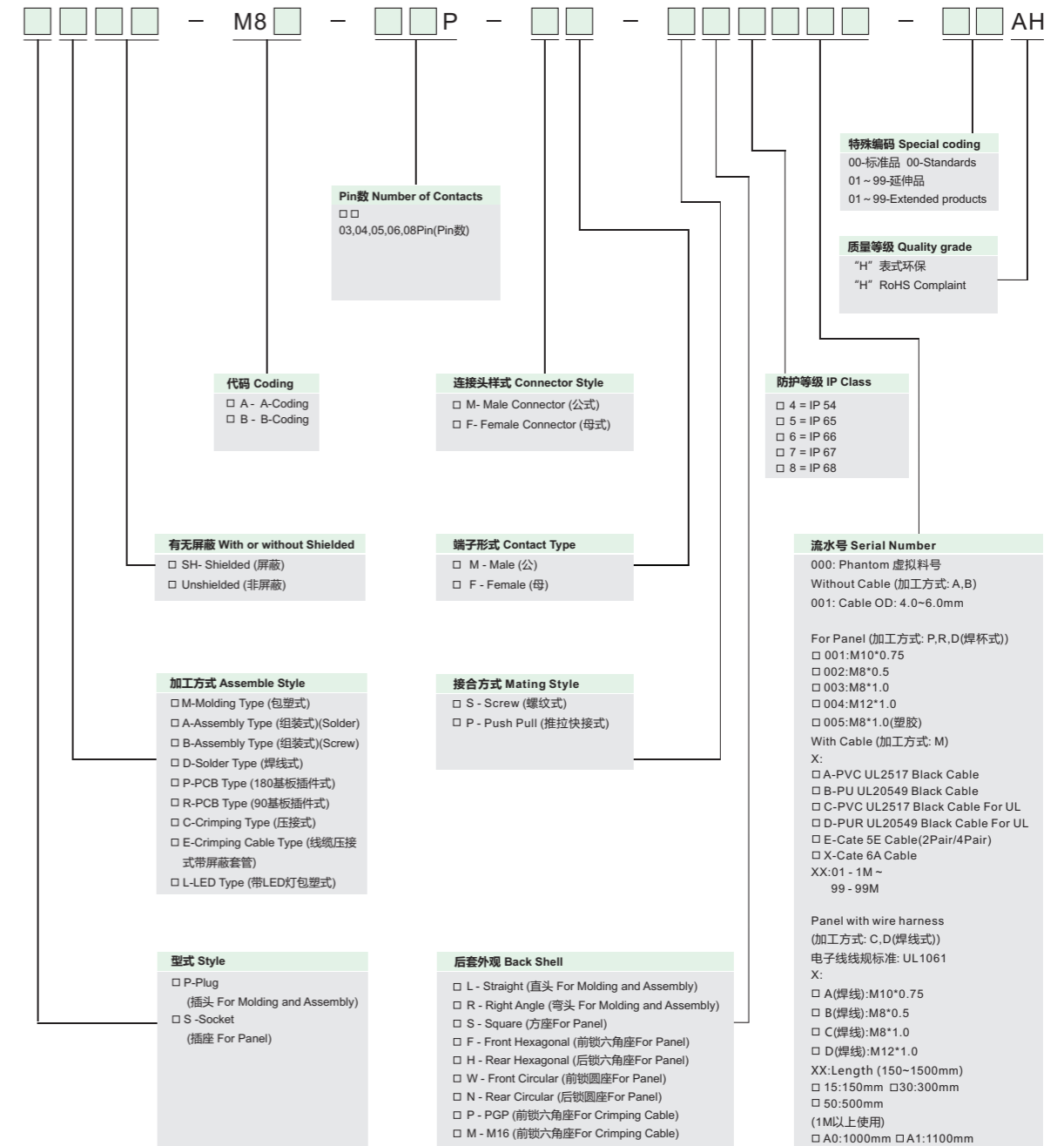
Features

- Cable material: PUR, PVC.
- IP-class: IP67, IP68.
- Shield is optional.
- Wire connection is optional.
- Compliance with IEC 61076 standard.



圆形连接器编码规则 Circular Connectors Part Number

圆形连接器成品品名编码规则 Circular Connectors Part Number Reference



例如:

1. M8孔式插头5Pin: PM-M8B-05P-FF-SL7A01-00A(H)

表示: 线端包塑, M8 B-Coding, 5Pin, 母座母Pin, 螺纹锁合, 直头, 防水等级IP67, PVC黑色外被UL2517线缆, 长度1.0M, 标准品。

2. 去掉“-”、“小数点”、“()”、“空格”即为成品料号, 如: PMM8B05PFFSL7A0100AH

For example:

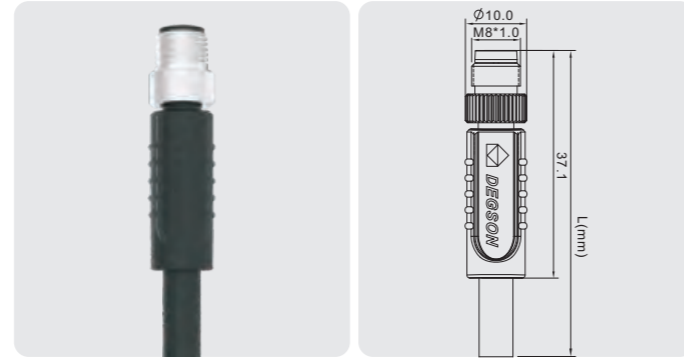
1. M8 female plug 5Pin: PM-M8B-05P-FF-SL7A01-00A(H)

Details: Plastic covered at the end of wire, M8 B-Coding, 5Pin, female socket female Pin, thread locked, straight head, IP67, PVC black kacket. Covered by UL2517 wire, the length of 1.0M, standard products.

2. Delete “-”, “decimal point”, “()”, “space”, then it's the finish product number, such as: PMM8B05PFFSL7A0100AH.

M8 x 1 针式成型电缆插头，单端，非屏蔽，直头。

M8 x 1 Male Overmolded with Cable plug, Single end, Unshielded, Straight.



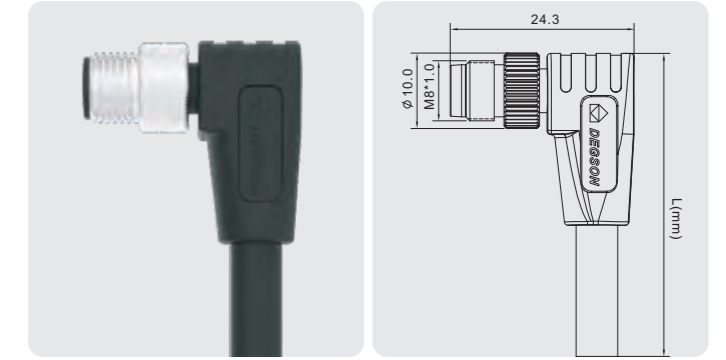
技术数据 Technical Data

标准 Standard	IEC 61076	端子载体材料 Contact carriers material	PU / PA
系列 Series	M8, Male, Straight	端子材料 Contact material	Copper Alloy, Gold-plated
Pin针数量 Number of Pins	03,04,05,06,08 Pin	金属螺母 Metal of nut	Copper Alloy with Nickel Plated
额定电流 Rated Current	3A max.	胶圈 Seal	Silicone
额定电压 Rated voltage	60V max.	电缆外皮材料 Cable jacket material	PUR / PVC
绝缘电阻 Insulation resistance	≥100MΩ	屏蔽 Shielding	Unshielded
接触电阻 Contact resistance	≤5mΩ	机械寿命 Mechanical life	> 100 mating cycles
运行温度 Ambient temperature	- 25 ~ + 80°C	—	—
防护等级 IP Class	IP67	—	—

针数 Number of Pins		03 Pin	04 Pin	05 Pin	06 Pin	08 Pin
编码 Coding	编码 Coded	A-Coded	A-Coded	B-Coded	A-Coded	A-Coded
	正面图 Front View					
额定电流 Rated current	A.	3A	3A	3A	1.5A	1.5A
额定电压 Rated voltage	V.	60V	60V	30V	30V	30V
电线电缆 Wire/Cable	线规 Wire gauge	24AWG	24AWG	24AWG	26AWG	26AWG
	横截面 Cross section	0.25mm ²	0.25mm ²	0.25mm ²	0.14mm ²	0.14mm ²
	接线表 Wiring list	1.BN 3.BU 4.BK	1.BN 2.WH 3.BU 4.BK	1.BN 2.WH 3.BU 4.BK 5.GY	1.BN 2.WH 3.BU 4.BK 5.GY 6.PK	1.WH 2.BN 3.GN 4.YE 5.GY 6.PK 7.BU 8.RD
描述 Description	订单号 Order NO.	订单号 Order NO.	订单号 Order NO.	订单号 Order NO.	订单号 Order NO.	
PVC	1m	PM-M8A-03P-MM-SL7A01-00AH	PM-M8A-04P-MM-SL7A01-00AH	PM-M8B-05P-MM-SL7A01-00AH	PM-M8A-06P-MM-SL7A01-00AH	PM-M8A-08P-MM-SL7A01-00AH
	3m	PM-M8A-03P-MM-SL7A03-00AH	PM-M8A-04P-MM-SL7A03-00AH	PM-M8B-05P-MM-SL7A03-00AH	PM-M8A-06P-MM-SL7A03-00AH	PM-M8A-08P-MM-SL7A03-00AH
	5m	PM-M8A-03P-MM-SL7A05-00AH	PM-M8A-04P-MM-SL7A05-00AH	PM-M8B-05P-MM-SL7A05-00AH	PM-M8A-06P-MM-SL7A05-00AH	PM-M8A-08P-MM-SL7A05-00AH
	定制化 Customized
PUR	1m	PM-M8A-03P-MM-SL7B01-00AH	PM-M8A-04P-MM-SL7B01-00AH	PM-M8B-05P-MM-SL7B01-00AH	PM-M8A-06P-MM-SL7B01-00AH	PM-M8A-08P-MM-SL7B01-00AH
	3m	PM-M8A-03P-MM-SL7B03-00AH	PM-M8A-04P-MM-SL7B03-00AH	PM-M8B-05P-MM-SL7B03-00AH	PM-M8A-06P-MM-SL7B03-00AH	PM-M8A-08P-MM-SL7B03-00AH
	5m	PM-M8A-03P-MM-SL7B05-00AH	PM-M8A-04P-MM-SL7B05-00AH	PM-M8B-05P-MM-SL7B05-00AH	PM-M8A-06P-MM-SL7B05-00AH	PM-M8A-08P-MM-SL7B05-00AH
	定制化 Customized
PVC	1m	PM-M8A-03P-MM-SL7C01-00AH	PM-M8A-04P-MM-SL7C01-00AH	PM-M8B-05P-MM-SL7C01-00AH	PM-M8A-06P-MM-SL7C01-00AH	PM-M8A-08P-MM-SL7C01-00AH
	3m	PM-M8A-03P-MM-SL7C03-00AH	PM-M8A-04P-MM-SL7C03-00AH	PM-M8B-05P-MM-SL7C03-00AH	PM-M8A-06P-MM-SL7C03-00AH	PM-M8A-08P-MM-SL7C03-00AH
	5m	PM-M8A-03P-MM-SL7C05-00AH	PM-M8A-04P-MM-SL7C05-00AH	PM-M8B-05P-MM-SL7C05-00AH	PM-M8A-06P-MM-SL7C05-00AH	PM-M8A-08P-MM-SL7C05-00AH
	定制化 Customized
PUR	1m	PM-M8A-03P-MM-SL7D01-00AH	PM-M8A-04P-MM-SL7D01-00AH	PM-M8B-05P-MM-SL7D01-00AH	PM-M8A-06P-MM-SL7D01-00AH	PM-M8A-08P-MM-SL7D01-00AH
	3m	PM-M8A-03P-MM-SL7D03-00AH	PM-M8A-04P-MM-SL7D03-00AH	PM-M8B-05P-MM-SL7D03-00AH	PM-M8A-06P-MM-SL7D03-00AH	PM-M8A-08P-MM-SL7D03-00AH
	5m	PM-M8A-03P-MM-SL7D05-00AH	PM-M8A-04P-MM-SL7D05-00AH	PM-M8B-05P-MM-SL7D05-00AH	PM-M8A-06P-MM-SL7D05-00AH	PM-M8A-08P-MM-SL7D05-00AH
	定制化 Customized

M8 x 1 针式成型电缆插头，单端，非屏蔽，弯头。

M8 x 1 Male Overmolded with Cable plug, Single end, Unshielded, Angled.



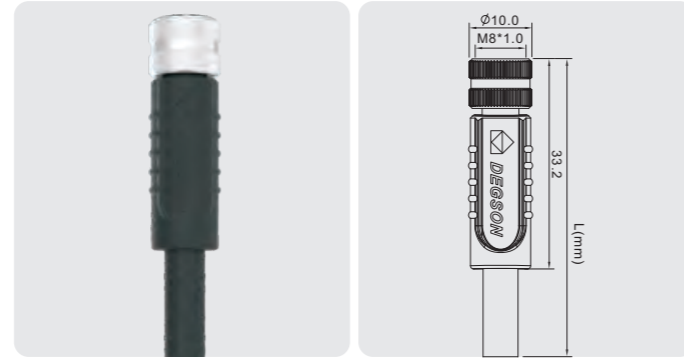
技术数据 Technical Data

标准 Standard	IEC 61076	端子载体材料 Contact carriers material	PU / PA
系列 Series	M8, Male, Angled	端子材料 Contact material	Copper Alloy, Gold-plated
Pin针数量 Number of Pins	03,04,05,06,08 Pin	金属螺母 Metal of nut	Copper Alloy with Nickel Plated
额定电流 Rated Current	3A max.	胶圈 Seal	Silicone
额定电压 Rated voltage	60V max.	电缆外皮材料 Cable jacket material	PUR / PVC
绝缘电阻 Insulation resistance	≥100MΩ	屏蔽 Shielding	Unshielded
接触电阻 Contact resistance	≤5mΩ	机械寿命 Mechanical life	> 100 mating cycles
运行温度 Ambient temperature	- 25 ~ + 80°C	—	—
防护等级 IP Class	IP67	—	—

针数 Number of Pins		03 Pin	04 Pin	05 Pin	06 Pin	08 Pin
编码 Coding	编码 Coded	A-Coded	A-Coded	B-Coded	A-Coded	A-Coded
	正面图 Front View					
额定电流 Rated current	A.	3A	3A	3A	1.5A	1.5A
额定电压 Rated voltage	V.	60V	60V	30V	30V	30V
电线电缆 Wire/Cable	线规 Wire gauge	24AWG	24AWG	24AWG	26AWG	26AWG
	横截面 Cross section	0.25mm ²	0.25mm ²	0.25mm ²	0.14mm ²	0.14mm ²
	接线表 Wiring list	1.BN 3.BU 4.BK	1.BN 2.WH 3.BU 4.BK	1.BN 2.WH 3.BU 4.BK 5.GY	1.BN 2.WH 3.BU 4.BK 5.GY 6.PK 7.BU 8.RD	
描述 Description	订单号 Order NO.	订单号 Order NO.	订单号 Order NO.	订单号 Order NO.	订单号 Order NO.	
PVC	1m	PM-M8A-03P-MM-SR7A01-00AH	PM-M8A-04P-MM-SR7A01-00AH	PM-M8B-05P-MM-SR7A01-00AH	PM-M8A-06P-MM-SR7A01-00AH	PM-M8A-08P-MM-SR7A01-00AH
	3m	PM-M8A-03P-MM-SR7A03-00AH	PM-M8A-04P-MM-SR7A03-00AH	PM-M8B-05P-MM-SR7A03-00AH	PM-M8A-06P-MM-SR7A03-00AH	PM-M8A-08P-MM-SR7A03-00AH
	5m	PM-M8A-03P-MM-SR7A05-00AH	PM-M8A-04P-MM-SR7A05-00AH	PM-M8B-05P-MM-SR7A05-00AH	PM-M8A-06P-MM-SR7A05-00AH	PM-M8A-08P-MM-SR7A05-00AH
	定制化 Customized
PUR	1m	PM-M8A-03P-MM-SR7B01-00AH	PM-M8A-04P-MM-SR7B01-00AH	PM-M8B-05P-MM-SR7B01-00AH	PM-M8A-06P-MM-SR7B01-00AH	PM-M8A-08P-MM-SR7B01-00AH
	3m	PM-M8A-03P-MM-SR7B03-00AH	PM-M8A-04P-MM-SR7B03-00AH	PM-M8B-05P-MM-SR7B03-00AH	PM-M8A-06P-MM-SR7B03-00AH	PM-M8A-08P-MM-SR7B03-00AH
	5m	PM-M8A-03P-MM-SR7B05-00AH	PM-M8A-04P-MM-SR7B05-00AH	PM-M8B-05P-MM-SR7B05-00AH	PM-M8A-06P-MM-SR7B05-00AH	PM-M8A-08P-MM-SR7B05-00AH
	定制化 Customized
PVC	1m	PM-M8A-03P-MM-SR7C01-00AH	PM-M8A-04P-MM-SR7C01-00AH	PM-M8B-05P-MM-SR7C01-00AH	PM-M8A-06P-MM-SR7C01-00AH	PM-M8A-08P-MM-SR7C01-00AH
	3m	PM-M8A-03P-MM-SR7C03-00AH	PM-M8A-04P-MM-SR7C03-00AH	PM-M8B-05P-MM-SR7C03-00AH	PM-M8A-06P-MM-SR7C03-00AH	PM-M8A-08P-MM-SR7C03-00AH
	5m	PM-M8A-03P-MM-SR7C05-00AH	PM-M8A-04P-MM-SR7C05-00AH	PM-M8B-05P-MM-SR7C05-00AH	PM-M8A-06P-MM-SR7C05-00AH	PM-M8A-08P-MM-SR7C05-00AH
	定制化 Customized
PUR	1m	PM-M8A-03P-MM-SR7D01-00AH	PM-M8A-04P-MM-SR7D01-00AH	PM-M8B-05P-MM-SR7D01-00AH	PM-M8A-06P-MM-SR7D01-00AH	PM-M8A-08P-MM-SR7D01-00AH
	3m	PM-M8A-03P-MM-SR7D03-00AH	PM-M8A-04P-MM-SR7D03-00AH	PM-M8B-05P-MM-SR7D03-00AH	PM-M8A-06P-MM-SR7D03-00AH	PM-M8A-08P-MM-SR7D03-00AH
	5m	PM-M8A-03P-MM-SR7D05-00AH	PM-M8A-04P-MM-SR7D05-00AH	PM-M8B-05P-MM-SR7D05-00AH	PM-M8A-06P-MM-SR7D05-00AH	PM-M8A-08P-MM-SR7D05-00AH
	定制化 Customized

M8 x 1 孔式成型电缆插头，单端，非屏蔽，直头。

M8 x 1 Female Overmolded with Cable plug, Single end, Unshielded, Straight.



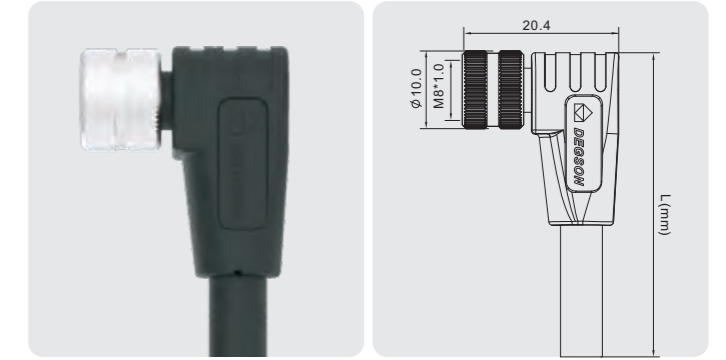
技术数据 Technical Data

标准 Standard	IEC 61076	端子载体材料 Contact carriers material	PU / PA
系列 Series	M8, Female, Straight	端子材料 Contact material	Copper Alloy, Gold-plated
Pin针数量 Number of Pins	03,04,05,06,08 Pin	金属螺母 Metal of nut	Copper Alloy with Nickel Plated
额定电流 Rated Current	3A max.	胶圈 Seal	Silicone
额定电压 Rated voltage	60V max.	电缆外皮材料 Cable jacket material	PUR / PVC
绝缘电阻 Insulation resistance	≥100MΩ	屏蔽 Shielding	Unshielded
接触电阻 Contact resistance	≤5mΩ	机械寿命 Mechanical life	> 100 mating cycles
运行温度 Ambient temperature	- 25 ~ + 80°C	—	—
防护等级 IP Class	IP67	—	—

针数 Number of Pins		03 Pin	04 Pin	05 Pin	06 Pin	08 Pin
编码 Coding	编码 Coded	A-Coded	A-Coded	B-Coded	A-Coded	A-Coded
	正面图 Front View					
额定电流 Rated current	A.	3A	3A	3A	1.5A	1.5A
额定电压 Rated voltage	V.	60V	60V	30V	30V	30V
电线电缆 Wire/Cable	线规 Wire gauge	24AWG	24AWG	24AWG	26AWG	26AWG
	横截面 Cross section	0.25mm ²	0.25mm ²	0.25mm ²	0.14mm ²	0.14mm ²
	接线表 Wiring list	1.BN 3.BU 4.BK	1.BN 2.WH 3.BU 4.BK	1.BN 2.WH 3.BU 4.BK 5.GY	1.BN 2.WH 3.BU 4.BK 5.GY 6.PK	1.WH 2.BN 3.GN 4.YE 5.GY 6.PK 7.BU 8.RD
描述 Description	订单号 Order NO.	订单号 Order NO.	订单号 Order NO.	订单号 Order NO.	订单号 Order NO.	订单号 Order NO.
PVC	1m	PM-M8A-03P-FF-SL7A01-00AH	PM-M8A-04P-FF-SL7A01-00AH	PM-M8B-05P-FF-SL7A01-00AH	PM-M8A-06P-FF-SL7A01-00AH	PM-M8A-08P-FF-SL7A01-00AH
	3m	PM-M8A-03P-FF-SL7A03-00AH	PM-M8A-04P-FF-SL7A03-00AH	PM-M8B-05P-FF-SL7A03-00AH	PM-M8A-06P-FF-SL7A03-00AH	PM-M8A-08P-FF-SL7A03-00AH
	5m	PM-M8A-03P-FF-SL7A05-00AH	PM-M8A-04P-FF-SL7A05-00AH	PM-M8B-05P-FF-SL7A05-00AH	PM-M8A-06P-FF-SL7A05-00AH	PM-M8A-08P-FF-SL7A05-00AH
	定制化 Customized
PUR	1m	PM-M8A-03P-FF-SL7B01-00AH	PM-M8A-04P-FF-SL7B01-00AH	PM-M8B-05P-FF-SL7B01-00AH	PM-M8A-06P-FF-SL7B01-00AH	PM-M8A-08P-FF-SL7B01-00AH
	3m	PM-M8A-03P-FF-SL7B03-00AH	PM-M8A-04P-FF-SL7B03-00AH	PM-M8B-05P-FF-SL7B03-00AH	PM-M8A-06P-FF-SL7B03-00AH	PM-M8A-08P-FF-SL7B03-00AH
	5m	PM-M8A-03P-FF-SL7B05-00AH	PM-M8A-04P-FF-SL7B05-00AH	PM-M8B-05P-FF-SL7B05-00AH	PM-M8A-06P-FF-SL7B05-00AH	PM-M8A-08P-FF-SL7B05-00AH
	定制化 Customized
PVC	1m	PM-M8A-03P-FF-SL7C01-00AH	PM-M8A-04P-FF-SL7C01-00AH	PM-M8B-05P-FF-SL7C01-00AH	PM-M8A-06P-FF-SL7C01-00AH	PM-M8A-08P-FF-SL7A01-00AH
	3m	PM-M8A-03P-FF-SL7C03-00AH	PM-M8A-04P-FF-SL7C03-00AH	PM-M8B-05P-FF-SL7C03-00AH	PM-M8A-06P-FF-SL7C03-00AH	PM-M8A-08P-FF-SL7A03-00AH
	5m	PM-M8A-03P-FF-SL7C05-00AH	PM-M8A-04P-FF-SL7C05-00AH	PM-M8B-05P-FF-SL7C05-00AH	PM-M8A-06P-FF-SL7C05-00AH	PM-M8A-08P-FF-SL7A05-00AH
	定制化 Customized
PUR	1m	PM-M8A-03P-FF-SL7D01-00AH	PM-M8A-04P-FF-SL7D01-00AH	PM-M8B-05P-FF-SL7D01-00AH	PM-M8A-06P-FF-SL7D01-00AH	PM-M8A-08P-FF-SL7D01-00AH
	3m	PM-M8A-03P-FF-SL7D03-00AH	PM-M8A-04P-FF-SL7D03-00AH	PM-M8B-05P-FF-SL7D03-00AH	PM-M8A-06P-FF-SL7D03-00AH	PM-M8A-08P-FF-SL7D03-00AH
	5m	PM-M8A-03P-FF-SL7D05-00AH	PM-M8A-04P-FF-SL7D05-00AH	PM-M8B-05P-FF-SL7D05-00AH	PM-M8A-06P-FF-SL7D05-00AH	PM-M8A-08P-FF-SL7D05-00AH
	定制化 Customized

M8 x 1 孔式成型电缆插头，单端，非屏蔽，弯头。

M8 x 1 Female Overmolded with Cable plug, Single end, Unshielded, Angled.



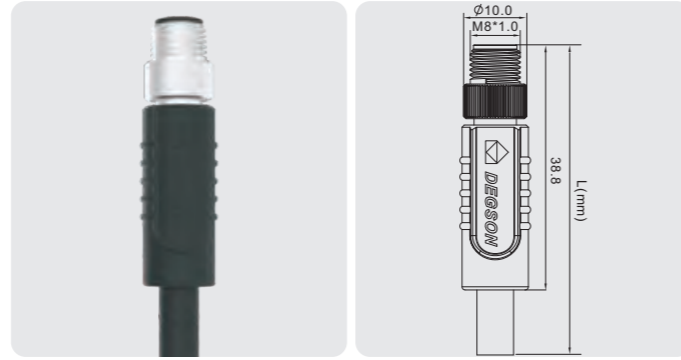
技术数据 Technical Data

标准 Standard	IEC 61076	端子载体材料 Contact carriers material	PU / PA
系列 Series	M8, Female, Angled	端子材料 Contact material	Copper Alloy, Gold-plated
Pin针数量 Number of Pins	03,04,05,06,08 Pin	金属螺母 Metal of nut	Copper Alloy with Nickel Plated
额定电流 Rated Current	3A max.	胶圈 Seal	Silicone
额定电压 Rated voltage	60V max.	电缆外皮材料 Cable jacket material	PUR / PVC
绝缘电阻 Insulation resistance	≥100MΩ	屏蔽 Shielding	Unshielded
接触电阻 Contact resistance	≤5mΩ	机械寿命 Mechanical life	> 100 mating cycles
运行温度 Ambient temperature	- 25 ~ + 80°C	—	—
防护等级 IP Class	IP67	—	—

针数 Number of Pins		03 Pin	04 Pin	05 Pin	06 Pin	08 Pin
编码 Coding	编码 Coded	A-Coded	A-Coded	B-Coded	A-Coded	A-Coded
	正面图 Front View					
额定电流 Rated current	A.	3A	3A	3A	1.5A	1.5A
额定电压 Rated voltage	V.	60V	60V	30V	30V	30V
电线电缆 Wire/Cable	线规 Wire gauge	24AWG	24AWG	24AWG	26AWG	26AWG
	横截面 Cross section	0.25mm ²	0.25mm ²	0.25mm ²	0.14mm ²	0.14mm ²
	接线表 Wiring list	1.BN 3.BU 4.BK	1.BN 2.WH 3.BU 4.BK	1.BN 2.WH 3.BU 4.BK 5.GY	1.BN 2.WH 3.BU 4.BK 5.GY 6.PK 7.BU 8.RD	
描述 Description	订单号 Order NO.	订单号 Order NO.	订单号 Order NO.	订单号 Order NO.	订单号 Order NO.	订单号 Order NO.
PVC	1m	PM-M8A-03P-FF-SR7A01-00AH	PM-M8A-04P-FF-SR7A01-00AH	PM-M8B-05P-FF-SR7A01-00AH	PM-M8A-06P-FF-SR7A01-00AH	PM-M8A-08P-FF-SR7A01-00AH
	3m	PM-M8A-03P-FF-SR7A03-00AH	PM-M8A-04P-FF-SR7A03-00AH	PM-M8B-05P-FF-SR7A03-00AH	PM-M8A-06P-FF-SR7A03-00AH	PM-M8A-08P-FF-SR7A03-00AH
	5m	PM-M8A-03P-FF-SR7A05-00AH	PM-M8A-04P-FF-SR7A05-00AH	PM-M8B-05P-FF-SR7A05-00AH	PM-M8A-06P-FF-SR7A05-00AH	PM-M8A-08P-FF-SR7A05-00AH
	定制化 Customized
PUR	1m	PM-M8A-03P-FF-SR7B01-00AH	PM-M8A-04P-FF-SR7B01-00AH	PM-M8B-05P-FF-SR7B01-00AH	PM-M8A-06P-FF-SR7B01-00AH	PM-M8A-08P-FF-SR7B01-00AH
	3m	PM-M8A-03P-FF-SR7B03-00AH	PM-M8A-04P-FF-SR7B03-00AH	PM-M8B-05P-FF-SR7B03-00AH	PM-M8A-06P-FF-SR7B03-00AH	PM-M8A-08P-FF-SR7B03-00AH
	5m	PM-M8A-03P-FF-SR7B05-00AH	PM-M8A-04P-FF-SR7B05-00AH	PM-M8B-05P-FF-SR7B05-00AH	PM-M8A-06P-FF-SR7B05-00AH	PM-M8A-08P-FF-SR7B05-00AH
	定制化 Customized
PVC	1m	PM-M8A-03P-FF-SR7C01-00AH	PM-M8A-04P-FF-SR7C01-00AH	PM-M8B-05P-FF-SR7C01-00AH	PM-M8A-06P-FF-SR7C01-00AH	PM-M8A-08P-FF-SR7C01-00AH
	3m	PM-M8A-03P-FF-SR7C03-00AH	PM-M8A-04P-FF-SR7C03-00AH	PM-M8B-05P-FF-SR7C03-00AH	PM-M8A-06P-FF-SR7C03-00AH	PM-M8A-08P-FF-SR7C03-00AH
	5m	PM-M8A-03P-FF-SR7C05-00AH	PM-M8A-04P-FF-SR7C05-00AH	PM-M8B-05P-FF-SR7C05-00AH	PM-M8A-06P-FF-SR7C05-00AH	PM-M8A-08P-FF-SR7C05-00AH
	定制化 Customized
PUR	1m	PM-M8A-03P-FF-SR7D01-00AH	PM-M8A-04P-FF-SR7D01-00AH	PM-M8B-05P-FF-SR7D01-00AH	PM-M8A-06P-FF-SR7D01-00AH	PM-M8A-08P-FF-SR7D01-00AH
	3m	PM-M8A-03P-FF-SR7D03-00AH	PM-M8A-04P-FF-SR7D03-00AH	PM-M8B-05P-FF-SR7D03-00AH	PM-M8A-06P-FF-SR7D03-00AH	PM-M8A-08P-FF-SR7D03-00AH
	5m	PM-M8A-03P-FF-SR7D05-00AH	PM-M8A-04P-FF-SR7D05-00AH	PM-M8B-05P-FF-SR7D05-00AH	PM-M8A-06P-FF-SR7D05-00AH	PM-M8A-08P-FF-SR7D05-00AH
	定制化 Customized

M8 x 1 针式成型电缆插头，单端，屏蔽，直头。

M8 x 1 Male Overmolded with Cable plug, Single end, Shielded, Straight.



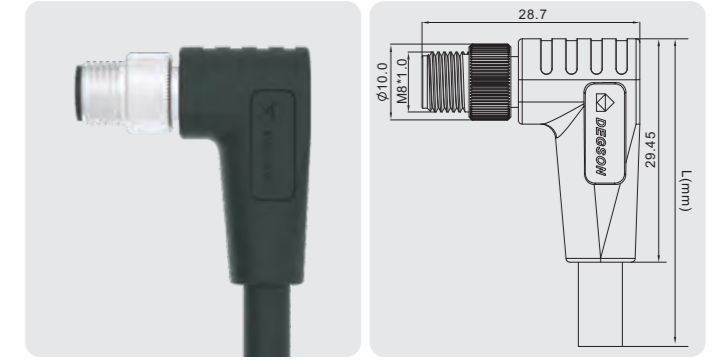
技术数据 Technical Data

标准 Standard	IEC 61076	端子载体材料 Contact carriers material	PA
系列 Series	M8, Male, Straight	端子材料 Contact material	Copper Alloy, Gold-plated
Pin针数量 Number of Pins	03,04,05,06,08 Pin	金属螺母 Metal of nut	Copper Alloy with Nickel Plated
额定电流 Rated Current	3A max.	胶圈 Seal	Silicone
额定电压 Rated voltage	60V max.	电缆外皮材料 Cable jacket material	PUR / PVC
绝缘电阻 Insulation resistance	≥100MΩ	屏蔽 Shielding	Shielded
接触电阻 Contact resistance	≤5mΩ	机械寿命 Mechanical life	> 100 mating cycles
运行温度 Ambient temperature	- 25 ~ + 80°C	—	—
防护等级 IP Class	IP67	—	—

针数 Number of Pins		03 Pin	04 Pin	05 Pin	06 Pin	08 Pin
编码 Coding	编码 Coded	A-Coded	A-Coded	B-Coded	A-Coded	A-Coded
	正面图 Front View					
额定电流 Rated current	A.	3A	3A	3A	1.5A	1.5A
额定电压 Rated voltage	V.	60V	60V	30V	30V	30V
电线电缆 Wire/Cable	线规 Wire gauge	24AWG	24AWG	24AWG	26AWG	26AWG
	横截面 Cross section	0.25mm ²	0.25mm ²	0.25mm ²	0.14mm ²	0.14mm ²
	接线表 Wiring list	1.BN 3.BU 4.BK	1.BN 2.WH 3.BU 4.BK	1.BN 2.WH 3.BU 4.BK 5.GY	1.BN 2.WH 3.BU 4.BK 5.GY 6.PK	1.WH 2.BN 3.GN 4.YE 5.GY 6.PK 7.BU 8.RD
描述 Description	订单号 Order NO.	订单号 Order NO.	订单号 Order NO.	订单号 Order NO.	订单号 Order NO.	订单号 Order NO.
PVC	1m	PMSH-M8A-03P-MM-SL7C01-00AH	PMSH-M8A-04P-MM-SL7C01-00AH	PMSH-M8B-05P-MM-SL7C01-00AH	PMSH-M8A-06P-MM-SL7C01-00AH	PMSH-M8A-08P-MM-SL7C01-00AH
	3m	PMSH-M8A-03P-MM-SL7C03-00AH	PMSH-M8A-04P-MM-SL7C03-00AH	PMSH-M8B-05P-MM-SL7C03-00AH	PMSH-M8A-06P-MM-SL7C03-00AH	PMSH-M8A-08P-MM-SL7C03-00AH
	5m	PMSH-M8A-03P-MM-SL7C05-00AH	PMSH-M8A-04P-MM-SL7C05-00AH	PMSH-M8B-05P-MM-SL7C05-00AH	PMSH-M8A-06P-MM-SL7C05-00AH	PMSH-M8A-08P-MM-SL7C05-00AH
	定制化 Customized
	PUR	1m	PMSH-M8A-03P-MM-SL7D01-00AH	PMSH-M8A-04P-MM-SL7D01-00AH	PMSH-M8B-05P-MM-SL7D01-00AH	PMSH-M8A-06P-MM-SL7D01-00AH
3m		PMSH-M8A-03P-MM-SL7D03-00AH	PMSH-M8A-04P-MM-SL7D03-00AH	PMSH-M8B-05P-MM-SL7D03-00AH	PMSH-M8A-06P-MM-SL7D03-00AH	PMSH-M8A-08P-MM-SL7D03-00AH
5m		PMSH-M8A-03P-MM-SL7D05-00AH	PMSH-M8A-04P-MM-SL7D05-00AH	PMSH-M8B-04P-MM-SL7D05-00AH	PMSH-M8A-06P-MM-SL7D05-00AH	PMSH-M8A-08P-MM-SL7D05-00AH
定制化 Customized	

M8 x 1 针式成型电缆插头，单端，屏蔽，弯头。

M8 x 1 Male Overmolded with Cable plug, Single end, Shielded, Angled.



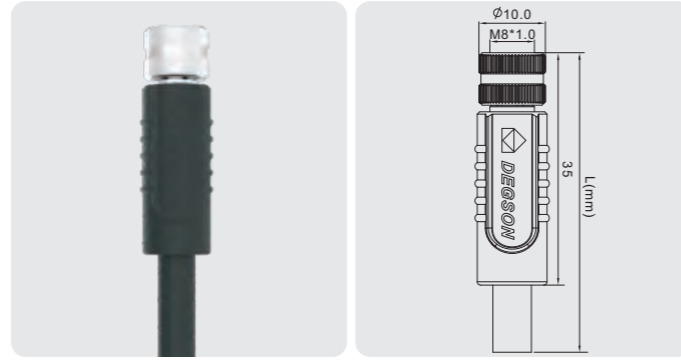
技术数据 Technical Data

标准 Standard	IEC 61076	端子载体材料 Contact carriers material	PA
系列 Series	M8, Male, Angled	端子材料 Contact material	Copper Alloy, Gold-plated
Pin针数量 Number of Pins	03,04,05,06,08 Pin	金属螺母 Metal of nut	Copper Alloy with Nickel Plated
额定电流 Rated Current	3A max.	胶圈 Seal	Silicone
额定电压 Rated voltage	60V max.	电缆外皮材料 Cable jacket material	PUR / PVC
绝缘电阻 Insulation resistance	≥100MΩ	屏蔽 Shielding	Shielded
接触电阻 Contact resistance	≤5mΩ	机械寿命 Mechanical life	> 100 mating cycles
运行温度 Ambient temperature	- 25 ~ + 80°C	—	—
防护等级 IP Class	IP67	—	—

针数 Number of Pins		03 Pin	04 Pin	05 Pin	06 Pin	08 Pin
编码 Coding	编码 Coded	A-Coded	A-Coded	B-Coded	A-Coded	A-Coded
	正面图 Front View					
额定电流 Rated current	A.	3A	3A	3A	1.5A	1.5A
额定电压 Rated voltage	V.	60V	60V	30V	30V	30V
电线电缆 Wire/Cable	线规 Wire gauge	24AWG	24AWG	24AWG	26AWG	26AWG
	横截面 Cross section	0.25mm ²	0.25mm ²	0.25mm ²	0.14mm ²	0.14mm ²
	接线表 Wiring list	1.BN 3.BU 4.BK	1.BN 2.WH 3.BU 4.BK	1.BN 2.WH 3.BU 4.BK 5.GY	1.BN 2.WH 3.BU 4.BK 5.GY 6.PK	1.WH 2.BN 3.GN 4.YE 5.GY 6.PK 7.BU 8.RD
描述 Description	订单号 Order NO.	订单号 Order NO.	订单号 Order NO.	订单号 Order NO.	订单号 Order NO.	订单号 Order NO.
PVC	1m	PMSH-M8A-03P-MM-SR7C01-00AH	PMSH-M8A-04P-MM-SR7C01-00AH	PMSH-M8B-05P-MM-SR7C01-00AH	PMSH-M8A-06P-MM-SR7C01-00AH	PMSH-M8A-08P-MM-SR7C01-00AH
	3m	PMSH-M8A-03P-MM-SR7C03-00AH	PMSH-M8A-04P-MM-SR7C03-00AH	PMSH-M8B-05P-MM-SR7C03-00AH	PMSH-M8A-06P-MM-SR7C03-00AH	PMSH-M8A-08P-MM-SR7C03-00AH
	5m	PMSH-M8A-03P-MM-SR7C05-00AH	PMSH-M8A-04P-MM-SR7C05-00AH	PMSH-M8B-05P-MM-SR7C05-00AH	PMSH-M8A-06P-MM-SR7C05-00AH	PMSH-M8A-08P-MM-SR7C05-00AH
	定制化 Customized
	PUR	1m	PMSH-M8A-03P-MM-SR7D01-00AH	PMSH-M8A-04P-MM-SR7D01-00AH	PMSH-M8B-05P-MM-SR7D01-00AH	PMSH-M8A-06P-MM-SR7D01-00AH
3m		PMSH-M8A-03P-MM-SR7D03-00AH	PMSH-M8A-04P-MM-SR7D03-00AH	PMSH-M8B-05P-MM-SR7D03-00AH	PMSH-M8A-06P-MM-SR7D03-00AH	PMSH-M8A-08P-MM-SR7D03-00AH
5m		PMSH-M8A-03P-MM-SR7D05-00AH	PMSH-M8A-04P-MM-SR7D05-00AH	PMSH-M8B-04P-MM-SR7D05-00AH	PMSH-M8A-06P-MM-SR7D05-00AH	PMSH-M8A-08P-MM-SR7D05-00AH
定制化 Customized	

M8 x 1 孔式成型电缆插头，单端，屏蔽，直头。

M8 x 1 Female Overmolded with Cable plug, Single end, shielded, Straight.



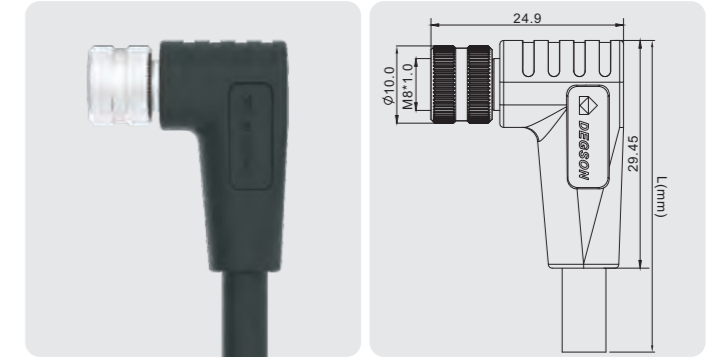
技术数据 Technical Data

标准 Standard	IEC 61076	端子载体材料 Contact carriers material	PA
系列 Series	M8, Female, Straight	端子材料 Contact material	Copper Alloy, Gold-plated
Pin针数量 Number of Pins	03,04,05,06,08 Pin	金属螺母 Metal of nut	Copper Alloy with Nickel Plated
额定电流 Rated Current	3A max.	胶圈 Seal	Silicone
额定电压 Rated voltage	60V max.	电缆外皮材料 Cable jacket material	PUR / PVC
绝缘电阻 Insulation resistance	≥100MΩ	屏蔽 Shielding	Shielded
接触电阻 Contact resistance	≤5mΩ	机械寿命 Mechanical life	> 100 mating cycles
运行温度 Ambient temperature	- 25 ~ + 80°C	—	—
防护等级 IP Class	IP67	—	—

针数 Number of Pins		03 Pin	04 Pin	05 Pin	06 Pin	08 Pin
编码 Coding	编码 Coded	A-Coded	A-Coded	B-Coded	A-Coded	A-Coded
	正面图 Front View					
额定电流 Rated current	A.	3A	3A	3A	1.5A	1.5A
额定电压 Rated voltage	V.	60V	60V	30V	30V	30V
电线电缆 Wire/Cable	线规 Wire gauge	24AWG	24AWG	24AWG	26AWG	26AWG
	横截面 Cross section	0.25mm ²	0.25mm ²	0.25mm ²	0.14mm ²	0.14mm ²
	接线表 Wiring list	1.BN 3.BU 4.BK	1.BN 2.WH 3.BU 4.BK	1.BN 2.WH 3.BU 4.BK 5.GY	1.BN 2.WH 3.BU 4.BK 5.GY 6.PK	1.WH 2.BN 3.GN 4.YE 5.GY 6.PK 7.BU 8.RD
描述 Description	订单号 Order NO.	订单号 Order NO.	订单号 Order NO.	订单号 Order NO.	订单号 Order NO.	订单号 Order NO.
PVC	1m	PMSH-M8A-03P-FF-SL7C01-00AH	PMSH-M8A-04P-FF-SL7C01-00AH	PMSH-M8B-05P-FF-SL7C01-00AH	PMSH-M8A-06P-FF-SL7C01-00AH	PMSH-M8A-08P-FF-SL7C01-00AH
	3m	PMSH-M8A-03P-FF-SL7C03-00AH	PMSH-M8A-04P-FF-SL7C03-00AH	PMSH-M8B-05P-FF-SL7C03-00AH	PMSH-M8A-06P-FF-SL7C03-00AH	PMSH-M8A-08P-FF-SL7C03-00AH
	5m	PMSH-M8A-03P-FF-SL7C05-00AH	PMSH-M8A-04P-FF-SL7C05-00AH	PMSH-M8B-05P-FF-SL7C05-00AH	PMSH-M8A-06P-FF-SL7C05-00AH	PMSH-M8A-08P-FF-SL7C05-00AH
	定制化 Customized
PUR	1m	PMSH-M8A-03P-FF-SL7D01-00AH	PMSH-M8A-04P-FF-SL7D01-00AH	PMSH-M8B-05P-FF-SL7D01-00AH	PMSH-M8A-06P-FF-SL7D01-00AH	PMSH-M8A-08P-FF-SL7D01-00AH
	3m	PMSH-M8A-03P-FF-SL7D03-00AH	PMSH-M8A-04P-FF-SL7D03-00AH	PMSH-M8B-05P-FF-SL7D03-00AH	PMSH-M8A-06P-FF-SL7D03-00AH	PMSH-M8A-08P-FF-SL7D03-00AH
	5m	PMSH-M8A-03P-FF-SL7D05-00AH	PMSH-M8A-04P-FF-SL7D05-00AH	PMSH-M8B-05P-FF-SL7D05-00AH	PMSH-M8A-06P-FF-SL7D05-00AH	PMSH-M8A-08P-FF-SL7D05-00AH
	定制化 Customized

M8 x 1 孔式成型电缆插头，单端，屏蔽，弯头。

M8 x 1 Female Overmolded with Cable plug, Single end, Shielded, Angled.



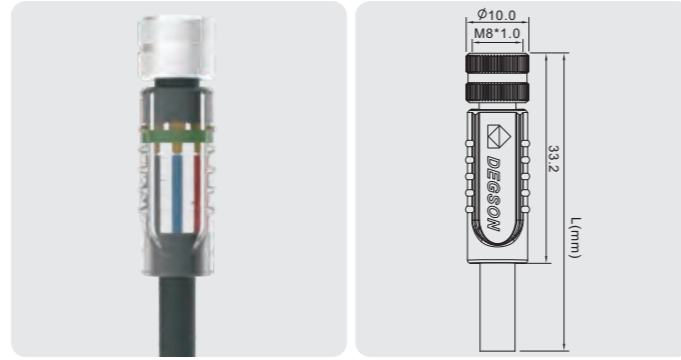
技术数据 Technical Data

标准 Standard	IEC 61076	端子载体材料 Contact carriers material	PA
系列 Series	M8, Female, Angled	端子材料 Contact material	Copper Alloy, Gold-plated
Pin针数量 Number of Pins	03,04,05,06,08 Pin	金属螺母 Metal of nut	Copper Alloy with Nickel Plated
额定电流 Rated Current	3A max.	胶圈 Seal	Silicone
额定电压 Rated voltage	60V max.	电缆外皮材料 Cable jacket material	PUR / PVC
绝缘电阻 Insulation resistance	≥100MΩ	屏蔽 Shielding	Shielded
接触电阻 Contact resistance	≤5mΩ	机械寿命 Mechanical life	> 100 mating cycles
运行温度 Ambient temperature	- 25 ~ + 80°C	—	—
防护等级 IP Class	IP67	—	—

针数 Number of Pins		03 Pin	04 Pin	05 Pin	06 Pin	08 Pin
编码 Coding	编码 Coded	A-Coded	A-Coded	B-Coded	A-Coded	A-Coded
	正面图 Front View					
额定电流 Rated current	A.	3A	3A	3A	1.5A	1.5A
额定电压 Rated voltage	V.	60V	60V	30V	30V	30V
电线电缆 Wire/Cable	线规 Wire gauge	24AWG	24AWG	24AWG	26AWG	26AWG
	横截面 Cross section	0.25mm ²	0.25mm ²	0.25mm ²	0.14mm ²	0.14mm ²
	接线表 Wiring list	1.BN 3.BU 4.BK	1.BN 2.WH 3.BU 4.BK	1.BN 2.WH 3.BU 4.BK 5.GY	1.BN 2.WH 3.BU 4.BK 5.GY 6.PK	1.WH 2.BN 3.GN 4.YE 5.GY 6.PK 7.BU 8.RD
描述 Description	订单号 Order NO.	订单号 Order NO.	订单号 Order NO.	订单号 Order NO.	订单号 Order NO.	订单号 Order NO.
PVC	1m	PMSH-M8A-03P-FF-SR7C01-00AH	PMSH-M8A-04P-FF-SR7C01-00AH	PMSH-M8B-05P-FF-SR7C01-00AH	PMSH-M8A-06P-FF-SR7C01-00AH	PMSH-M8A-08P-FF-SR7C01-00AH
	3m	PMSH-M8A-03P-FF-SR7C03-00AH	PMSH-M8A-04P-FF-SR7C03-00AH	PMSH-M8B-05P-FF-SR7C03-00AH	PMSH-M8A-06P-FF-SR7C03-00AH	PMSH-M8A-08P-FF-SR7C03-00AH
	5m	PMSH-M8A-03P-FF-SR7C05-00AH	PMSH-M8A-04P-FF-SR7C05-00AH	PMSH-M8B-05P-FF-SR7C05-00AH	PMSH-M8A-06P-FF-SR7C05-00AH	PMSH-M8A-08P-FF-SR7C05-00AH
	定制化 Customized
PUR	1m	PMSH-M8A-03P-FF-SR7D01-00AH	PMSH-M8A-04P-FF-SR7D01-00AH	PMSH-M8B-05P-FF-SR7D01-00AH	PMSH-M8A-06P-FF-SR7D01-00AH	PMSH-M8A-08P-FF-SR7D01-00AH
	3m	PMSH-M8A-03P-FF-SR7D03-00AH	PMSH-M8A-04P-FF-SR7D03-00AH	PMSH-M8B-05P-FF-SR7D03-00AH	PMSH-M8A-06P-FF-SR7D03-00AH	PMSH-M8A-08P-FF-SR7D03-00AH
	5m	PMSH-M8A-03P-FF-SR7D05-00AH	PMSH-M8A-04P-FF-SR7D05-00AH	PMSH-M8B-05P-FF-SR7D05-00AH	PMSH-M8A-06P-FF-SR7D05-00AH	PMSH-M8A-08P-FF-SR7D05-00AH
	定制化 Customized

M8 x 1 孔式成型电缆插头，单端，非屏蔽，直头，LED。

M8 x 1 Female Overmolded with Cable plug, Single end, Unshielded, Straight, LED.



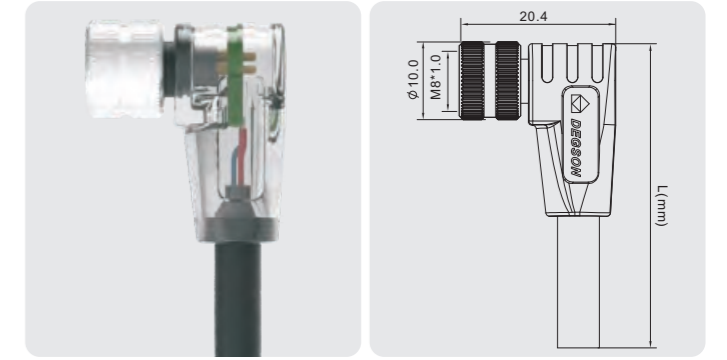
技术数据 Technical Data

标准 Standard	IEC 61076	端子载体材料 Contact carriers material	PU
系列 Series	M8, Female, Straight	端子材料 Contact material	Copper Alloy, Gold-plated
Pin针数量 Number of Pins	03,04 Pin	金属螺母 Metal of nut	Copper Alloy with Nickel Plated
额定电流 Rated Current	3A max.	胶圈 Seal	Silicone
额定电压 Rated voltage	60V max.	电缆外皮材料 Cable jacket material	PUR / PVC
绝缘电阻 Insulation resistance	≥100MΩ	屏蔽 Shielding	Unshielded
接触电阻 Contact resistance	≤5mΩ	机械寿命 Mechanical life	> 100 mating cycles
运行温度 Ambient temperature	- 25 ~ + 80°C	—	—
防护等级 IP Class	IP67	—	—

针数 Number of Pins		03 Pin	04 Pin
编码 Coding	编码 Coded	A-Coded	A-Coded
	正面图 Front View		
额定电流 Rated current	A.	3A	3A
额定电压 Rated voltage	V.	60V	60V
电线/电缆 Wire/Cable	线规 Wire gauge	24AWG	24AWG
	横截面 Cross section	0.25mm ²	0.25mm ²
	接线表 Wiring list	1.BN 3.BU 4.BK	1.BN 2.WH 3.BU 4.BK
描述 Description	订单号 Order NO.	订单号 Order NO.	
PVC	1m	PL-M8A-03P-FF-SL7A01-00AH	PL-M8A-04P-FF-SL7A01-00AH
	3m	PL-M8A-03P-FF-SL7A03-00AH	PL-M8A-04P-FF-SL7A03-00AH
	5m	PL-M8A-03P-FF-SL7A05-00AH	PL-M8A-04P-FF-SL7A05-00AH
	定制化 Customized
PUR	1m	PL-M8A-03P-FF-SL7B01-00AH	PL-M8A-04P-FF-SL7B01-00AH
	3m	PL-M8A-03P-FF-SL7B03-00AH	PL-M8A-04P-FF-SL7B03-00AH
	5m	PL-M8A-03P-FF-SL7B05-00AH	PL-M8A-04P-FF-SL7B05-00AH
	定制化 Customized

M8 x 1 孔式成型电缆插头，单端，非屏蔽，弯头，LED。

M8 x 1 Female Overmolded with Cable plug, Single end, Unshielded, Angled, LED.



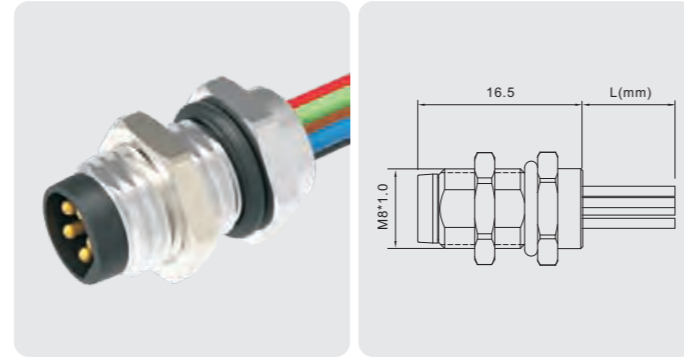
技术数据 Technical Data

标准 Standard	IEC 61076	端子载体材料 Contact carriers material	PU
系列 Series	M8, Female, Angled	端子材料 Contact material	Copper Alloy, Gold-plated
Pin针数量 Number of Pins	03,04 Pin	金属螺母 Metal of nut	Copper Alloy with Nickel Plated
额定电流 Rated Current	3A max.	胶圈 Seal	Silicone
额定电压 Rated voltage	60V max.	电缆外皮材料 Cable jacket material	PUR / PVC
绝缘电阻 Insulation resistance	≥100MΩ	屏蔽 Shielding	Unshielded
接触电阻 Contact resistance	≤5mΩ	机械寿命 Mechanical life	> 100 mating cycles
运行温度 Ambient temperature	- 25 ~ + 80°C	—	—
防护等级 IP Class	IP67	—	—

针数 Number of Pins		03 Pin	04 Pin
编码 Coding	编码 Coded	A-Coded	A-Coded
	正面图 Front View		
额定电流 Rated current	A.	3A	3A
额定电压 Rated voltage	V.	60V	60V
电线/电缆 Wire/Cable	线规 Wire gauge	24AWG	24AWG
	横截面 Cross section	0.25mm ²	0.25mm ²
	接线表 Wiring list	1.BN 3.BU 4.BK	1.BN 2.WH 3.BU 4.BK
描述 Description	订单号 Order NO.	订单号 Order NO.	
PVC	1m	PL-M8A-03P-FF-SR7A01-00AH	PL-M8A-04P-FF-SR7A01-00AH
	3m	PL-M8A-03P-FF-SR7A03-00AH	PL-M8A-04P-FF-SR7A03-00AH
	5m	PL-M8A-03P-FF-SR7A05-00AH	PL-M8A-04P-FF-SR7A05-00AH
	定制化 Customized
PUR	1m	PL-M8A-03P-FF-SR7B01-00AH	PL-M8A-04P-FF-SR7B01-00AH
	3m	PL-M8A-03P-FF-SR7B03-00AH	PL-M8A-04P-FF-SR7B03-00AH
	5m	PL-M8A-03P-FF-SR7B05-00AH	PL-M8A-04P-FF-SR7B05-00AH
	定制化 Customized

M8 x 1 针式面板安装插座，板后安装，带0.5m导线。

M8 x 1 Male Panel Mount Receptacle, Rear Mounting, with 0.5m wires.



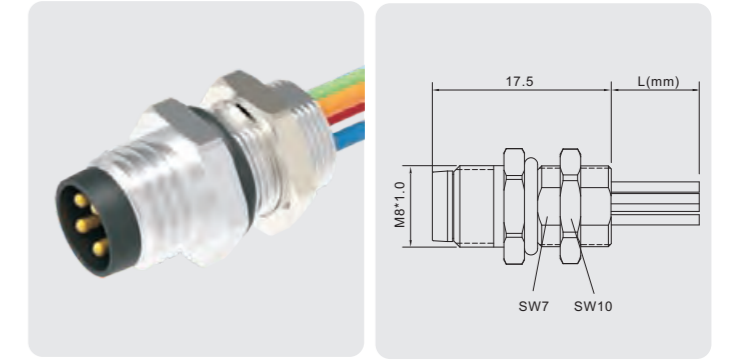
技术数据 Technical Data

标准 Standard	IEC 61076	端子载体材料 Contact carriers material	PA
系列 Series	M8, Male	端子材料 Contact material	Copper Alloy, Gold-plated
Pin针数量 Number of Pins	03,04,05,06,08 Pin	金属螺母 Metal of nut	Copper Alloy with Nickel Plated
额定电流 Rated Current	3A max.	胶圈 Seal	Silicone
额定电压 Rated voltage	60V max.	屏蔽 Shielding	Unshielded
绝缘电阻 Insulation resistance	≥100MΩ	机械寿命 Mechanical life	> 100 mating cycles
接触电阻 Contact resistance	≤5mΩ	—	—
运行温度 Ambient temperature	- 25 ~ + 80°C	—	—
防护等级 IP Class	IP67	—	—

针数 Number of Pins		03 Pin	04 Pin	05 Pin	06 Pin	08 Pin
编码 Coding	编码 Coded	A-Coded	A-Coded	B-Coded	A-Coded	A-Coded
	正面图 Front View					
额定电流 Rated current	A.	3A	3A	3A	1.5A	1.5A
额定电压 Rated voltage	V.	60V	60V	30V	30V	30V
电线/电缆 Wire/Cable	线规 Wire gauge	24AWG	24AWG	24AWG	26AWG	26AWG
	横截面 Cross section	0.25mm ²	0.25mm ²	0.25mm ²	0.14mm ²	0.14mm ²
	接线表 Wiring list	1.BN 3.BU 4.BK	1.BN 2.WH 3.BU 4.BK	1.BN 2.WH 3.BU 4.BK 5.GY	1.BN 2.WH 3.BU 4.BK 5.GY 6.PK	1.WH 2.BN 3.GN 4.YE 5.GY 6.PK 7.BU 8.RD
描述 Description	订单号 Order NO.	SD-M8A-03P-MM-SF7C50-00AH	SD-M8A-04P-MM-SF7C50-00AH	SD-M8B-05P-MM-SF7C50-00AH	SD-M8A-06P-MM-SF7C50-00AH	SD-M8A-08P-MM-SF7C50-00AH
定制化 Customized

M8 x 1 针式面板安装插座，板前安装，带0.5m导线。

M8 x 1 Male Panel Mount Receptacle, Front Mounting, with 0.5m wires.



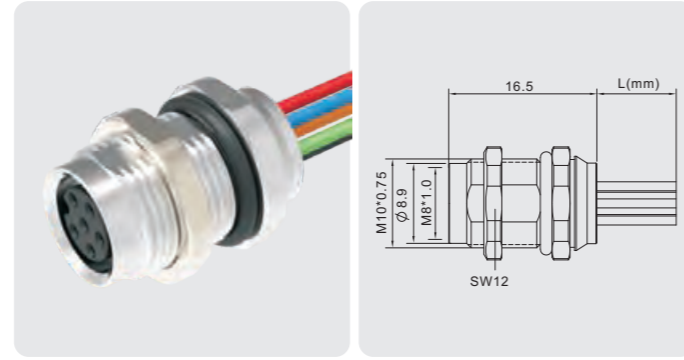
技术数据 Technical Data

标准 Standard	IEC 61076	端子载体材料 Contact carriers material	PA
系列 Series	M8, Male	端子材料 Contact material	Copper Alloy, Gold-plated
Pin针数量 Number of Pins	03,04,05,06,08 Pin	金属螺母 Metal of nut	Copper Alloy with Nickel Plated
额定电流 Rated Current	3A max.	胶圈 Seal	Silicone
额定电压 Rated voltage	60V max.	屏蔽 Shielding	Unshielded
绝缘电阻 Insulation resistance	≥100MΩ	机械寿命 Mechanical life	> 100 mating cycles
接触电阻 Contact resistance	≤5mΩ	—	—
运行温度 Ambient temperature	- 25 ~ + 80°C	—	—
防护等级 IP Class	IP67	—	—

针数 Number of Pins		03 Pin	04 Pin	05 Pin	06 Pin	08 Pin
编码 Coding	编码 Coded	A-Coded	A-Coded	B-Coded	A-Coded	A-Coded
	正面图 Front View					
额定电流 Rated current	A.	3A	3A	3A	1.5A	1.5A
额定电压 Rated voltage	V.	60V	60V	30V	30V	30V
电线/电缆 Wire/Cable	线规 Wire gauge	24AWG	24AWG	24AWG	26AWG	26AWG
	横截面 Cross section	0.25mm ²	0.25mm ²	0.25mm ²	0.14mm ²	0.14mm ²
	接线表 Wiring list	1.BN 3.BU 4.BK	1.BN 2.WH 3.BU 4.BK	1.BN 2.WH 3.BU 4.BK 5.GY	1.BN 2.WH 3.BU 4.BK 5.GY 6.PK	1.WH 2.BN 3.GN 4.YE 5.GY 6.PK 7.BU 8.RD
描述 Description	订单号 Order NO.	SD-M8A-03P-MM-SH7B50-00AH	SD-M8A-04P-MM-SH7B50-00AH	SD-M8B-05P-MM-SH7B50-00AH	SD-M8A-06P-MM-SH7B50-00AH	SD-M8A-08P-MM-SH7B50-00AH
定制化 Customized

M8 x 1 孔式面板安装插座，板后安装，带0.5m导线。

M8 x 1 Female Panel Mount Receptacle ,Rear Mounting,with 0.5m wires.



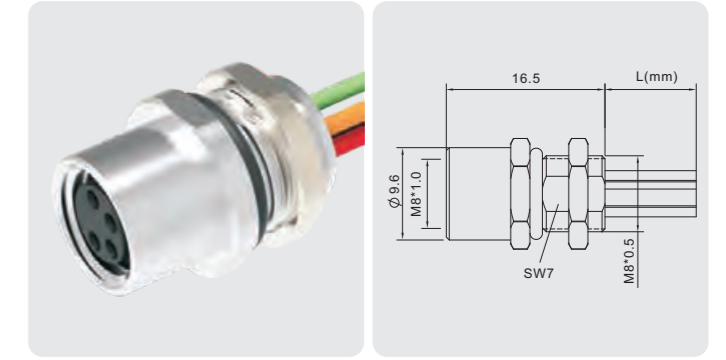
技术数据 Technical Data

标准 Standard	IEC 61076	端子载体材料 Contact carriers material	PA
系列 Series	M8, Female	端子材料 Contact material	Copper Alloy, Gold-plated
Pin针数量 Number of Pins	03,04,05,06,08 Pin	金属螺母 Metal of nut	Copper Alloy with Nickel Plated
额定电流 Rated Current	3A max.	胶圈 Seal	Silicone
额定电压 Rated voltage	60V max.	屏蔽 Shielding	Unshielded
绝缘电阻 Insulation resistance	≥100MΩ	机械寿命 Mechanical life	> 100 mating cycles
接触电阻 Contact resistance	≤5mΩ	—	—
运行温度 Ambient temperature	- 25 ~ + 80°C	—	—
防护等级 IP Class	IP67	—	—

针数 Number of Pins		03 Pin	04 Pin	05 Pin	06 Pin	08 Pin
编码 Coding	编码 Coded	A-Coded	A-Coded	B-Coded	A-Coded	A-Coded
	正面图 Front View					
额定电流 Rated current	A.	3A	3A	3A	1.5A	1.5A
额定电压 Rated voltage	V.	60V	60V	30V	30V	30V
电线/电缆 Wire/Cable	线规 Wire gauge	24AWG	24AWG	24AWG	26AWG	26AWG
	横截面 Cross section	0.25mm ²	0.25mm ²	0.25mm ²	0.14mm ²	0.14mm ²
	接线表 Wiring list	1.BN 3.BU 4.BK	1.BN 2.WH 3.BU 4.BK	1.BN 2.WH 3.BU 4.BK 5.GY	1.BN 2.WH 3.BU 4.BK 5.GY 6.PK	1.WH 2.BN 3.GN 4.YE 5.GY 6.PK 7.BU 8.RD
描述 Description	订单号 Order NO .	SD-M8A-03P-FF-SF7A50-00AH	SD-M8A-04P-FF-SF7A50-00AH	SD-M8B-05P-FF-SF7A50-00AH	SD-M8A-06P-FF-SF7A50-00AH	SD-M8A-08P-FF-SF7A50-00AH
定制化 Customized

M8 x 1 孔式面板安装插座，板前安装，带0.5m导线。

M8 x 1 Female Panel Mount Receptacle,Front Mounting,with 0.5m wires.



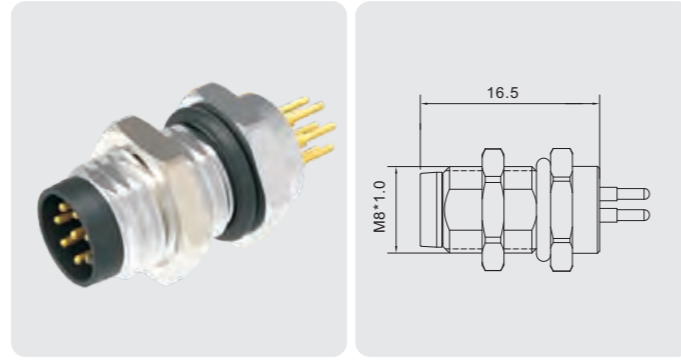
技术数据 Technical Data

标准 Standard	IEC 61076	端子载体材料 Contact carriers material	PA
系列 Series	M8, Female	端子材料 Contact material	Copper Alloy, Gold-plated
Pin针数量 Number of Pins	03,04,05,06,08 Pin	金属螺母 Metal of nut	Copper Alloy with Nickel Plated
额定电流 Rated Current	3A max.	胶圈 Seal	Silicone
额定电压 Rated voltage	60V max.	屏蔽 Shielding	Unshielded
绝缘电阻 Insulation resistance	≥100MΩ	机械寿命 Mechanical life	> 100 mating cycles
接触电阻 Contact resistance	≤5mΩ	—	—
运行温度 Ambient temperature	- 25 ~ + 80°C	—	—
防护等级 IP Class	IP67	—	—

针数 Number of Pins		03 Pin	04 Pin	05 Pin	06 Pin	08 Pin
编码 Coding	编码 Coded	A-Coded	A-Coded	B-Coded	A-Coded	A-Coded
	正面图 Front View					
额定电流 Rated current	A.	3A	3A	3A	1.5A	1.5A
额定电压 Rated voltage	V.	60V	60V	30V	30V	30V
电线/电缆 Wire/Cable	线规 Wire gauge	24AWG	24AWG	24AWG	26AWG	26AWG
	横截面 Cross section	0.25mm ²	0.25mm ²	0.25mm ²	0.14mm ²	0.14mm ²
	接线表 Wiring list	1.BN 3.BU 4.BK	1.BN 2.WH 3.BU 4.BK	1.BN 2.WH 3.BU 4.BK 5.GY	1.BN 2.WH 3.BU 4.BK 5.GY 6.PK	1.WH 2.BN 3.GN 4.YE 5.GY 6.PK 7.BU 8.RD
描述 Description	订单号 Order NO .	SD-M8A-03P-FF-SH7B50-00AH	SD-M8A-04P-FF-SH7B50-00AH	SD-M8B-05P-FF-SH7B50-00AH	SD-M8A-06P-FF-SH7B50-00AH	SD-M8A-08P-FF-SH7B50-00AH
定制化 Customized

M8 x 1 针式面板安装插座，板后安装，非屏蔽，PCB焊接。

M8 x 1 Male Panel Mount Receptacle, Rear Mounting, Unshielded, PCB Soldering.

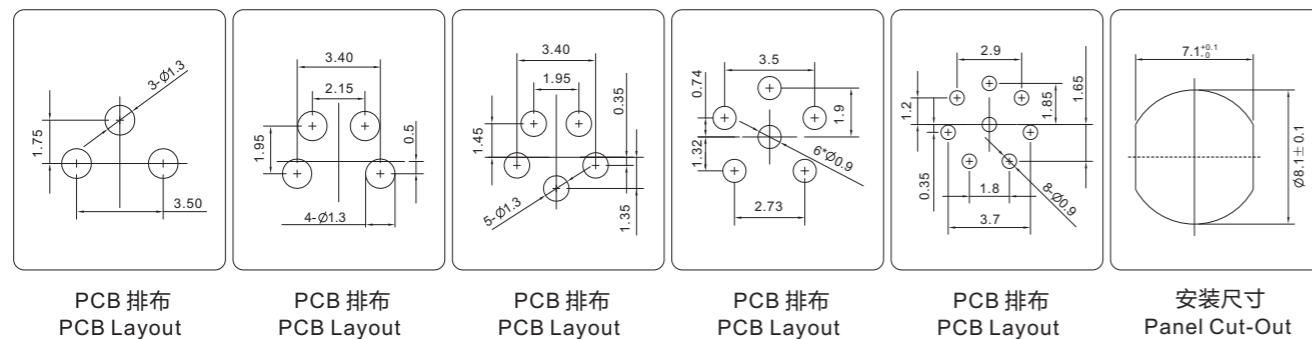


技术数据 Technical Data

标准 Standard	IEC 61076	端子载体材料 Contact carriers material	PA
系列 Series	M8, Male	端子材料 Contact material	Copper Alloy, Gold-plated
Pin针数量 Number of Pins	03,04,05,06,08 Pin	金属螺母 Metal of nut	Copper Alloy with Nickel Plated
额定电流 Rated Current	3A max.	胶圈 Seal	Silicone
额定电压 Rated voltage	60V max.	屏蔽 Shielding	Unshielded
绝缘电阻 Insulation resistance	≥100MΩ	机械寿命 Mechanical life	> 100 mating cycles
接触电阻 Contact resistance	≤5mΩ	—	—
运行温度 Ambient temperature	- 40 ~ +105°C	—	—
防护等级 IP Class	IP67	—	—

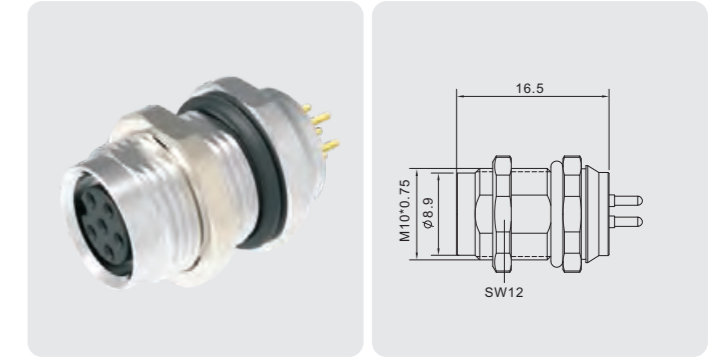
针数 Number of Pins		03 Pin	04 Pin	05 Pin	06 Pin	08 Pin
编码 Coding	编码 Coded	A-Coded	A-Coded	B-Coded	A-Coded	A-Coded
	正面图 Front View					
额定电流 Rated current	A.	3A	3A	3A	1.5A	1.5A
额定电压 Rated voltage	V.	60V	60V	30V	30V	30V
描述 Description	订单号 Order NO.	订单号 Order NO.	订单号 Order NO.	订单号 Order NO.	订单号 Order NO.	订单号 Order NO.
—	SP-M8A-03P-MM-SF7003-00AH	SP-M8A-04P-MM-SF7003-00AH	SP-M8B-05P-MM-SF7003-00AH	SP-M8A-06P-MM-SF7003-00AH	SP-M8A-08P-MM-SF7003-00AH	—
定制化 Customized

尺寸图 Dimension Figure



M8 x 1 孔式面板安装插座，板后安装，非屏蔽，PCB焊接。

M8 x 1 Female Panel Mount Receptacle, Rear Mounting, Unshielded, PCB Soldering.

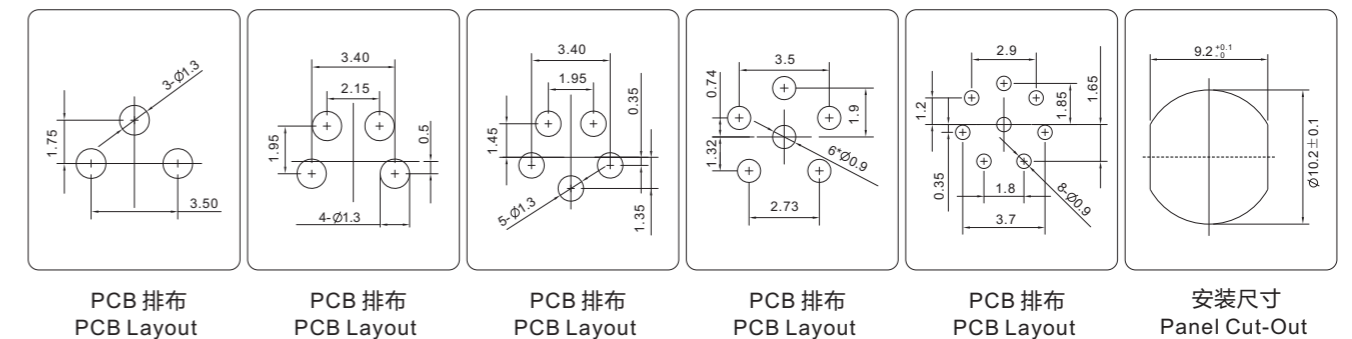


技术数据 Technical Data

标准 Standard	IEC 61076	端子载体材料 Contact carriers material	PA
系列 Series	M8, Female	端子材料 Contact material	Copper Alloy, Gold-plated
Pin针数量 Number of Pins	03,04,05,06,08 Pin	金属螺母 Metal of nut	Copper Alloy with Nickel Plated
额定电流 Rated Current	3A max.	胶圈 Seal	Silicone
额定电压 Rated voltage	60V max.	屏蔽 Shielding	Unshielded
绝缘电阻 Insulation resistance	≥100MΩ	机械寿命 Mechanical life	> 100 mating cycles
接触电阻 Contact resistance	≤5mΩ	—	—
运行温度 Ambient temperature	- 40 ~ +105°C	—	—
防护等级 IP Class	IP67	—	—

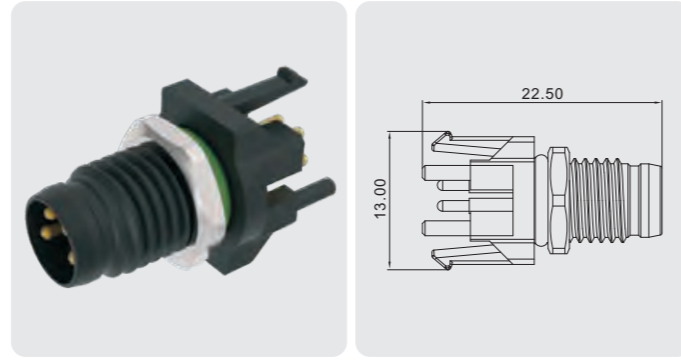
针数 Number of Pins		03 Pin	04 Pin	05 Pin	06 Pin	08 Pin
编码 Coding	编码 Coded	A-Coded	A-Coded	B-Coded	A-Coded	A-Coded
	正面图 Front View					
额定电流 Rated current	A.	3A	3A	3A	1.5A	1.5A
额定电压 Rated voltage	V.	60V	60V	30V	30V	30V
描述 Description	订单号 Order NO.	订单号 Order NO.	订单号 Order NO.	订单号 Order NO.	订单号 Order NO.	订单号 Order NO.
—	SP-M8A-03P-FF-SF7001-00AH	SP-M8A-04P-FF-SF7001-00AH	SP-M8B-05P-FF-SF7001-00AH	SP-M8A-06P-FF-SF7001-00AH	SP-M8A-08P-FF-SF7001-00AH	—
定制化 Customized

尺寸图 Dimension Figure



M8 x 1 针式面板安装插座，板后安装，非屏蔽，PCB焊接。

M8 x 1 Male Panel Mount Receptacle, Rear Mounting, Unshielded, PCB Soldering.

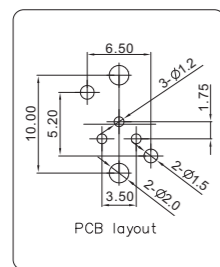


技术数据 Technical Data

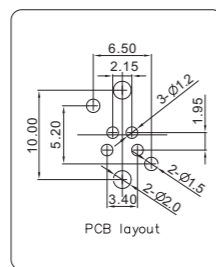
标准 Standard	IEC 61076	端子载体材料 Contact carriers material	PA
系列 Series	M8, Male	端子材料 Contact material	Copper Alloy, Gold-plated
Pin针数量 Number of Pins	03,04,05,06,08 Pin	金属螺母 Metal of nut	Copper Alloy with Nickel Plated
额定电流 Rated Current	3A max.	胶圈 Seal	Silicone
额定电压 Rated voltage	60V max.	屏蔽 Shielding	Unshielded
绝缘电阻 Insulation resistance	≥100MΩ	机械寿命 Mechanical life	> 100 mating cycles
接触电阻 Contact resistance	≤5mΩ	—	—
运行温度 Ambient temperature	- 40 ~ +105°C	—	—
防护等级 IP Class	IP67	—	—

针数 Number of Pins		03 Pin	04 Pin
编码 Coding	编码 Coded	A-Coded	A-Coded
	正面图 Front View		
额定电流 Rated current	A.	3A	3A
额定电压 Rated voltage	V.	60V	60V
描述 Description	—	订单号 Order NO .	订单号 Order NO .
—	—	SP-M8A-03P-MM-SF7005-00AH	SP-M8A-04P-MM-SF7005-00AH
定制化 Customized	—

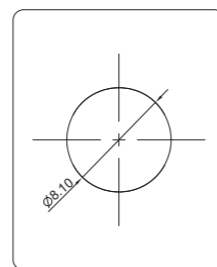
尺寸图 Dimension Figure



PCB 排布 PCB Layout



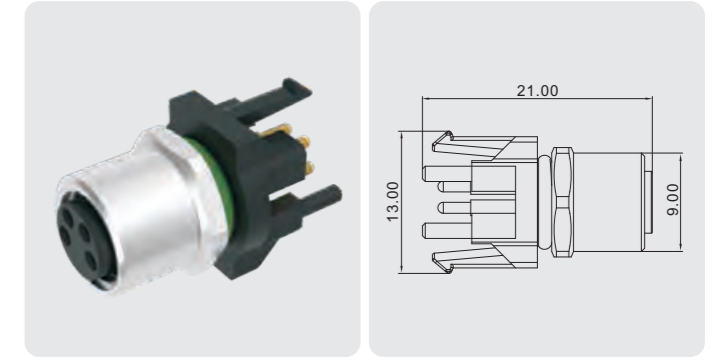
PCB 排布 PCB Layout



安装尺寸 Panel Cut-Out

M8 x 1 孔式面板安装插座，板后安装，非屏蔽，PCB焊接。

M8 x 1 Female Panel Mount Receptacle, Rear Mounting, Unshielded, PCB Soldering.

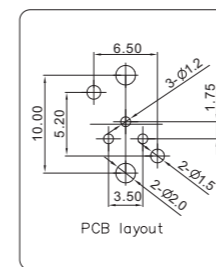


技术数据 Technical Data

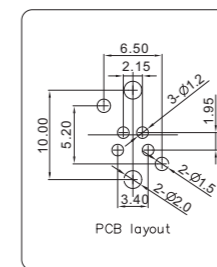
标准 Standard	IEC 61076	端子载体材料 Contact carriers material	PA
系列 Series	M8, Female	端子材料 Contact material	Copper Alloy, Gold-plated
Pin针数量 Number of Pins	03,04,05,06,08 Pin	金属螺母 Metal of nut	Copper Alloy with Nickel Plated
额定电流 Rated Current	3A max.	胶圈 Seal	Silicone
额定电压 Rated voltage	60V max.	屏蔽 Shielding	Unshielded
绝缘电阻 Insulation resistance	≥100MΩ	机械寿命 Mechanical life	> 100 mating cycles
接触电阻 Contact resistance	≤5mΩ	—	—
运行温度 Ambient temperature	- 40 ~ +105°C	—	—
防护等级 IP Class	IP67	—	—

针数 Number of Pins		03 Pin	04 Pin
编码 Coding	编码 Coded	A-Coded	A-Coded
	正面图 Front View		
额定电流 Rated current	A.	3A	3A
额定电压 Rated voltage	V.	60V	60V
描述 Description	—	订单号 Order NO .	订单号 Order NO .
—	—	SP-M8A-03P-FF-SF7005-00AH	SP-M8A-04P-FF-SF7005-00AH
定制化 Customized	—

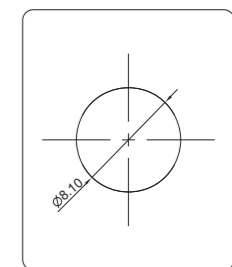
尺寸图 Dimension Figure



PCB 排布 PCB Layout



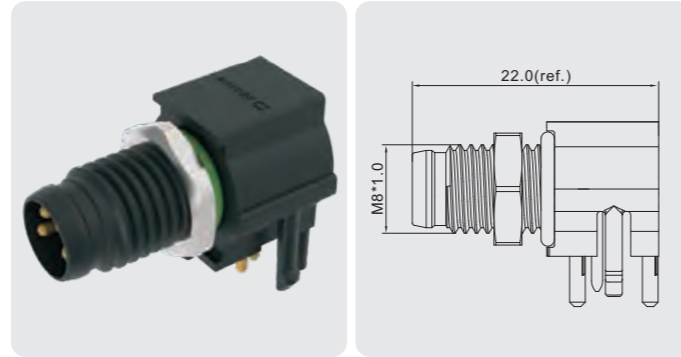
PCB 排布 PCB Layout



安装尺寸 Panel Cut-Out

M8 x 1 针式面板安装插座，板后安装，非屏蔽，PCB焊接。

M8 x 1 Male Panel Mount Receptacle, Rear Mounting, Unshielded, PCB Soldering.

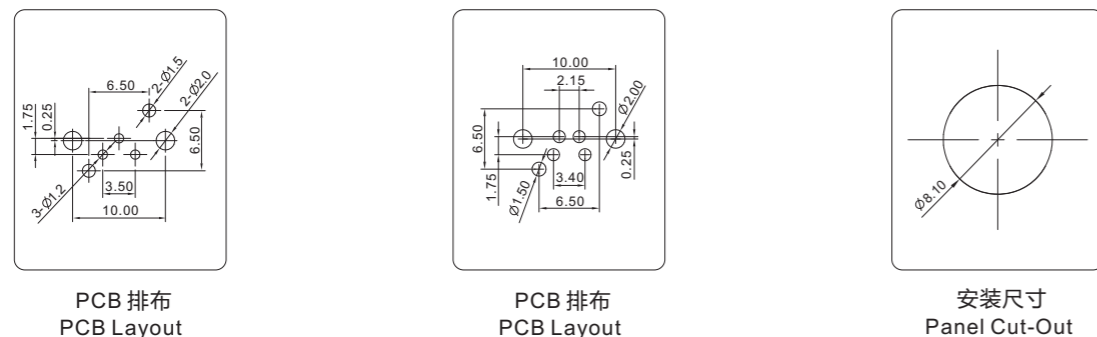


技术数据 Technical Data

标准 Standard	IEC 61076	端子载体材料 Contact carriers material	PA
系列 Series	M8, Male	端子材料 Contact material	Copper Alloy, Gold-plated
Pin针数量 Number of Pins	03,04,05,06,08 Pin	金属螺母 Metal of nut	Copper Alloy with Nickel Plated
额定电流 Rated Current	3A max.	胶圈 Seal	Silicone
额定电压 Rated voltage	60V max.	屏蔽 Shielding	Unshielded
绝缘电阻 Insulation resistance	≥100MΩ	机械寿命 Mechanical life	> 100 mating cycles
接触电阻 Contact resistance	≤5mΩ	—	—
运行温度 Ambient temperature	- 40 ~ +105°C	—	—
防护等级 IP Class	IP67	—	—

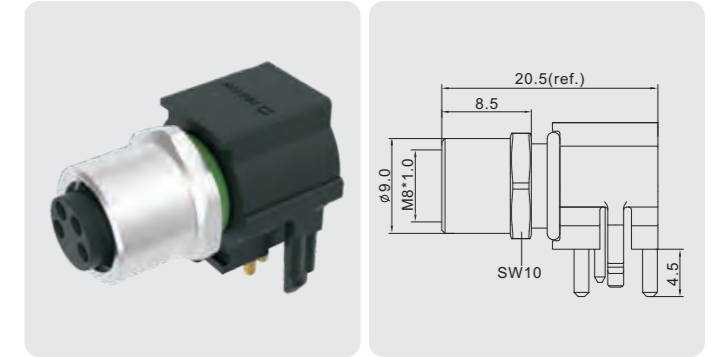
针数 Number of Pins		03 Pin	04 Pin
编码 Coding	编码 Coded	A-Coded	A-Coded
	正面图 Front View		
额定电流 Rated current	A.	3A	3A
额定电压 Rated voltage	V.	60V	60V
描述 Description	—	订单号 Order NO .	订单号 Order NO .
—	—	SR-M8A-03P-MM-SF7005-00AH	SR-M8A-04P-MM-SF7005-00AH
定制化 Customized	—

尺寸图 Dimension Figure



M8 x 1 孔式面板安装插座，板后安装，非屏蔽，PCB焊接。

M8 x 1 Female Panel Mount Receptacle, Rear Mounting, Unshielded, PCB Soldering.

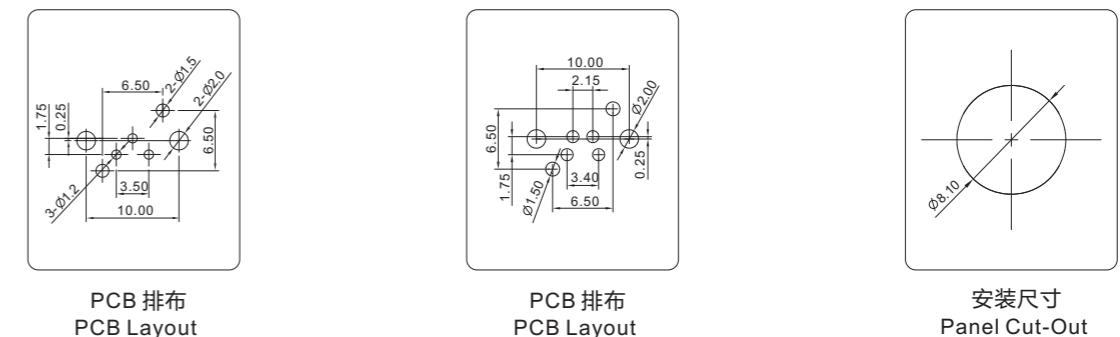


技术数据 Technical Data

标准 Standard	IEC 61076	端子载体材料 Contact carriers material	PA
系列 Series	M8, Female	端子材料 Contact material	Copper Alloy, Gold-plated
Pin针数量 Number of Pins	03,04,05,06,08 Pin	金属螺母 Metal of nut	Copper Alloy with Nickel Plated
额定电流 Rated Current	3A max.	胶圈 Seal	Silicone
额定电压 Rated voltage	60V max.	屏蔽 Shielding	Unshielded
绝缘电阻 Insulation resistance	≥100MΩ	机械寿命 Mechanical life	> 100 mating cycles
接触电阻 Contact resistance	≤5mΩ	—	—
运行温度 Ambient temperature	- 40 ~ +105°C	—	—
防护等级 IP Class	IP67	—	—

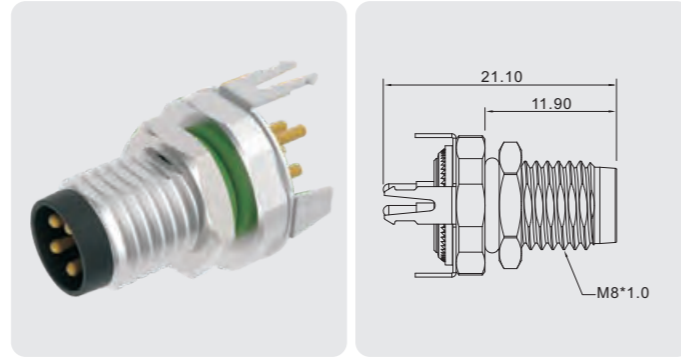
针数 Number of Pins		03 Pin	04 Pin
编码 Coding	编码 Coded	A-Coded	A-Coded
	正面图 Front View		
额定电流 Rated current	A.	3A	3A
额定电压 Rated voltage	V.	60V	60V
描述 Description	—	订单号 Order NO .	订单号 Order NO .
—	—	SR-M8A-03P-FF-SF7005-00AH	SR-M8A-04P-FF-SF7005-00AH
定制化 Customized	—

尺寸图 Dimension Figure



M8 x 1 针式面板安装插座，板后安装，屏蔽，PCB焊接。

M8 x 1 Male Panel Mount Receptacle, Rear Mounting, Shielded, PCB Soldering.

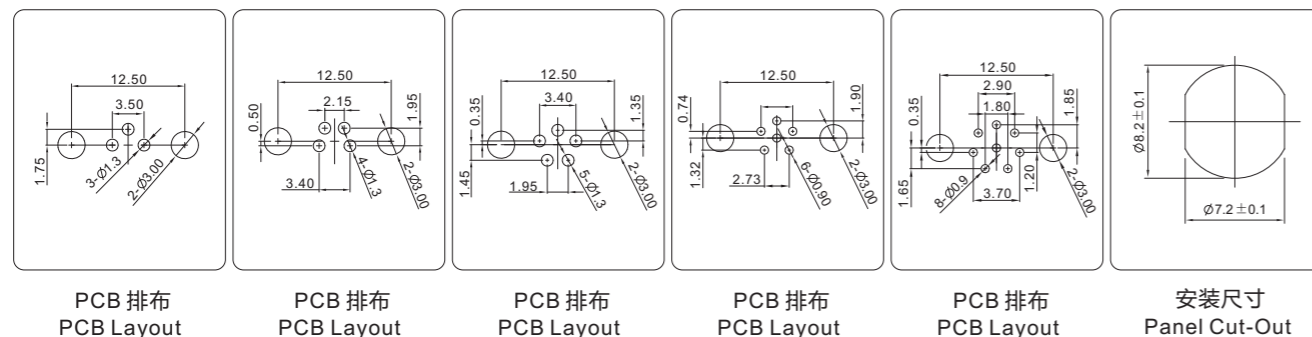


技术数据 Technical Data

标准 Standard	IEC 61076	端子载体材料 Contact carriers material	PA
系列 Series	M8, Male	端子材料 Contact material	Copper Alloy, Gold-plated
Pin针数量 Number of Pins	03,04,05,06,08 Pin	金属螺母 Metal of nut	Copper Alloy with Nickel Plated
额定电流 Rated Current	3A max.	胶圈 Seal	Silicone
额定电压 Rated voltage	60V max.	屏蔽 Shielding	Unshielded
绝缘电阻 Insulation resistance	≥100MΩ	机械寿命 Mechanical life	> 100 mating cycles
接触电阻 Contact resistance	≤5mΩ		
运行温度 Ambient temperature	- 40 ~ +105°C		
防护等级 IP Class	IP67		

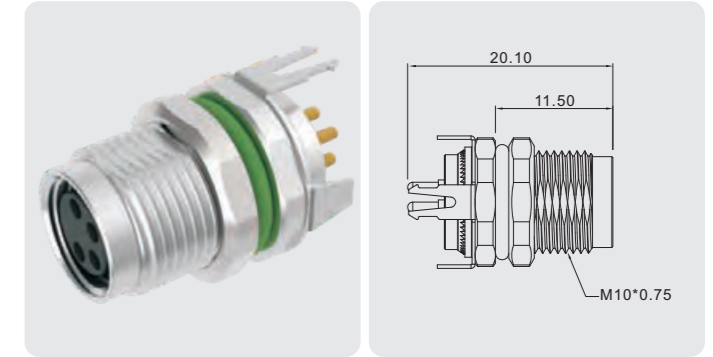
针数 Number of Pins		03 Pin	04 Pin	05 Pin	06 Pin	08 Pin
编码 Coding	编码 Coded	A-Coded	A-Coded	B-Coded	A-Coded	A-Coded
	正面图 Front View					
额定电流 Rated current	A.	3A	3A	3A	1.5A	1.5A
额定电压 Rated voltage	V.	60V	60V	30V	30V	30V
描述 Description	订单号 Order NO.	订单号 Order NO.	订单号 Order NO.	订单号 Order NO.	订单号 Order NO.	订单号 Order NO.
定制 Customized

尺寸图 Dimension Figure



M8 x 1 孔式面板安装插座，板后安装，屏蔽，PCB焊接。

M8 x 1 Female Panel Mount Receptacle, Rear Mounting, Shielded, PCB Soldering.

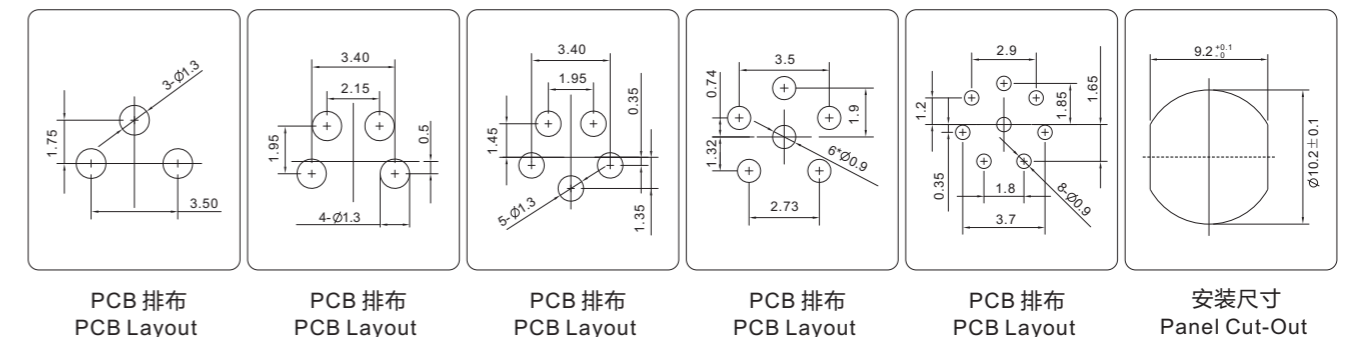


技术数据 Technical Data

标准 Standard	IEC 61076	端子载体材料 Contact carriers material	PA
系列 Series	M8, Female	端子材料 Contact material	Copper Alloy, Gold-plated
Pin针数量 Number of Pins	03,04,05,06,08 Pin	金属螺母 Metal of nut	Copper Alloy with Nickel Plated
额定电流 Rated Current	3A max.	胶圈 Seal	Silicone
额定电压 Rated voltage	60V max.	屏蔽 Shielding	Unshielded
绝缘电阻 Insulation resistance	≥100MΩ	机械寿命 Mechanical life	> 100 mating cycles
接触电阻 Contact resistance	≤5mΩ		
运行温度 Ambient temperature	- 40 ~ +105°C		
防护等级 IP Class	IP67		

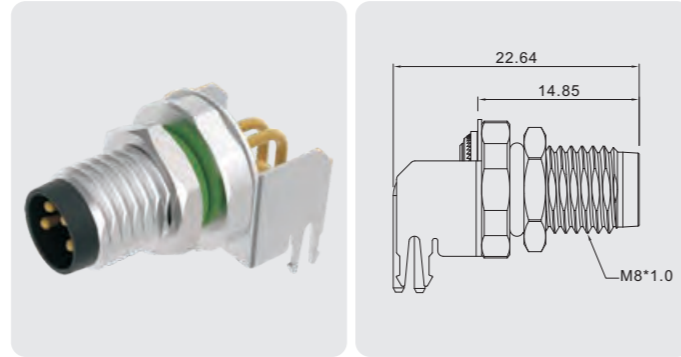
针数 Number of Pins		03 Pin	04 Pin	05 Pin	06 Pin	08 Pin
编码 Coding	编码 Coded	A-Coded	A-Coded	B-Coded	A-Coded	A-Coded
	正面图 Front View					
额定电流 Rated current	A.	3A	3A	3A	1.5A	1.5A
额定电压 Rated voltage	V.	60V	60V	30V	30V	30V
描述 Description	订单号 Order NO.	订单号 Order NO.	订单号 Order NO.	订单号 Order NO.	订单号 Order NO.	订单号 Order NO.
定制 Customized

尺寸图 Dimension Figure



M8 x 1 针式面板安装插座，板后安装，屏蔽，PCB焊接。

M8 x 1 Male Panel Mount Receptacle, Rear Mounting, Shielded, PCB Soldering.

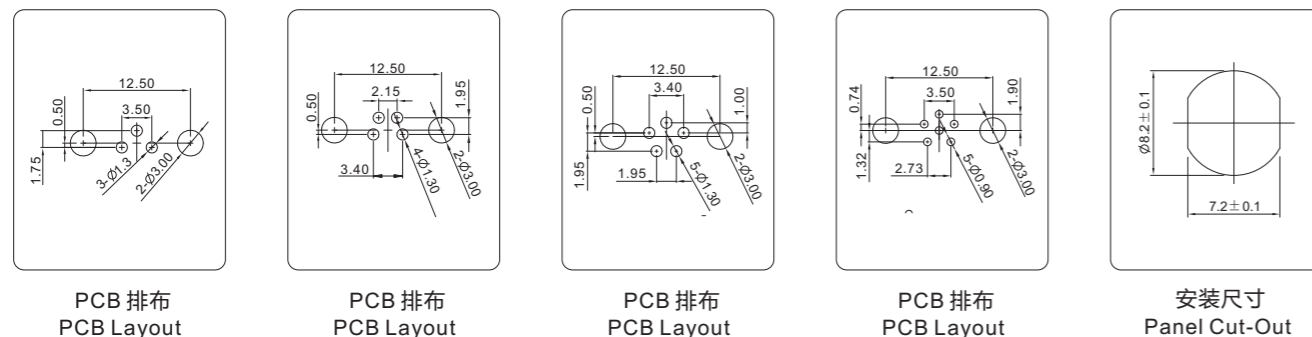


技术数据 Technical Data

标准 Standard	IEC 61076	端子载体材料 Contact carriers material	PA
系列 Series	M8, Male	端子材料 Contact material	Copper Alloy, Gold-plated
Pin针数量 Number of Pins	03,04,05,06,08 Pin	金属螺母 Metal of nut	Copper Alloy with Nickel Plated
额定电流 Rated Current	3A max.	胶圈 Seal	Silicone
额定电压 Rated voltage	60V max.	屏蔽 Shielding	Unshielded
绝缘电阻 Insulation resistance	≥100MΩ	机械寿命 Mechanical life	> 100 mating cycles
接触电阻 Contact resistance	≤5mΩ		
运行温度 Ambient temperature	- 40 ~ +105°C		
防护等级 IP Class	IP67		

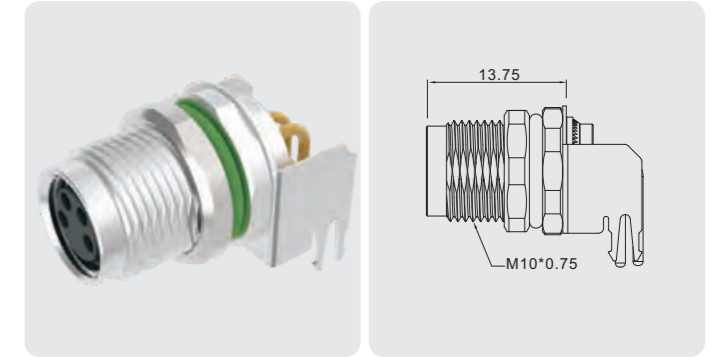
针数 Number of Pins		03 Pin	04 Pin	05 Pin	06 Pin
编码 Coding	编码 Coded	A-Coded	A-Coded	B-Coded	A-Coded
	正面图 Front View				
额定电流 Rated current	A.	3A	3A	3A	1.5A
额定电压 Rated voltage	V.	60V	60V	30V	30V
描述 Description	订单号 Order NO.	SRSH-M8A-03P-MM-SF7003-00AH	SRSH-M8A-04P-MM-SF7003-00AH	SRSH-M8B-05P-MM-SF7003-00AH	SRSH-M8A-06P-MM-SF7003-00AH
定制化 Customized

尺寸图 Dimension Figure



M8 x 1 孔式面板安装插座，板后安装，屏蔽，PCB焊接。

M8 x 1 Female Panel Mount Receptacle, Rear Mounting, Shielded, PCB Soldering.

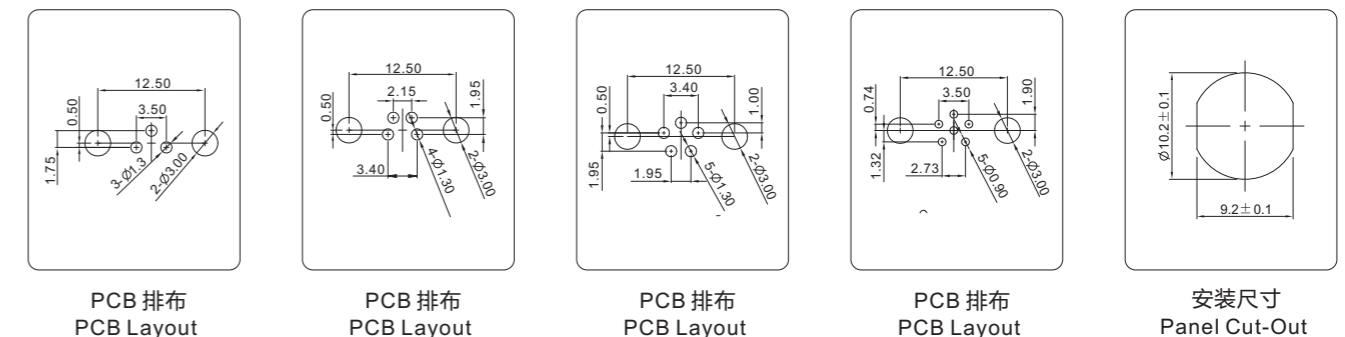


技术数据 Technical Data

标准 Standard	IEC 61076	端子载体材料 Contact carriers material	PA
系列 Series	M8, Female	端子材料 Contact material	Copper Alloy, Gold-plated
Pin针数量 Number of Pins	03,04,05,06,08 Pin	金属螺母 Metal of nut	Copper Alloy with Nickel Plated
额定电流 Rated Current	3A max.	胶圈 Seal	Silicone
额定电压 Rated voltage	60V max.	屏蔽 Shielding	Unshielded
绝缘电阻 Insulation resistance	≥100MΩ	机械寿命 Mechanical life	> 100 mating cycles
接触电阻 Contact resistance	≤5mΩ		
运行温度 Ambient temperature	- 40 ~ +105°C		
防护等级 IP Class	IP67		

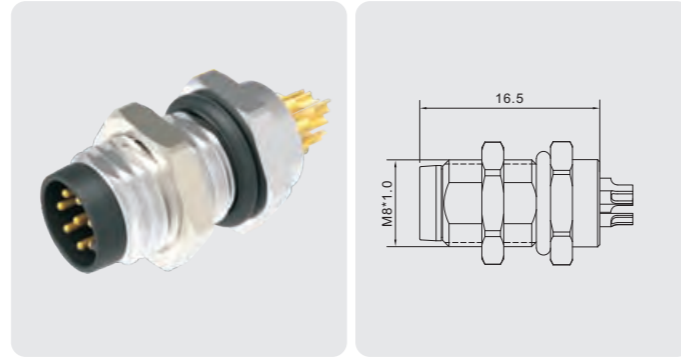
针数 Number of Pins		03 Pin	04 Pin	05 Pin	06 Pin
编码 Coding	编码 Coded	A-Coded	A-Coded	B-Coded	A-Coded
	正面图 Front View				
额定电流 Rated current	A.	3A	3A	3A	1.5A
额定电压 Rated voltage	V.	60V	60V	30V	30V
描述 Description	订单号 Order NO.	SRSH-M8A-03P-FF-SF7001-00AH	SRSH-M8A-04P-FF-SF7001-00AH	SRSH-M8B-05P-FF-SF7001-00AH	SRSH-M8A-06P-FF-SF7001-00AH
定制化 Customized

尺寸图 Dimension Figure



M8 x 1 针式面板安装插座，板后安装，非屏蔽，焊杯不带线。

M8 x 1 Male Panel Mount Receptacle, Rear Mounting, Unshielded, Soldering without wire.

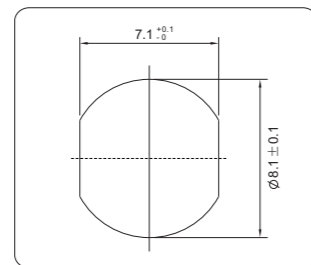


技术数据 Technical Data

标准 Standard	IEC 61076	端子载体材料 Contact carriers material	PA
系列 Series	M8, Male	端子材料 Contact material	Copper Alloy, Gold-plated
Pin针数量 Number of Pins	03,04,05,06,08 Pin	金属螺母 Metal of nut	Copper Alloy with Nickel Plated
额定电流 Rated Current	3A max.	胶圈 Seal	Silicone
额定电压 Rated voltage	60V max.	机械寿命 Mechanical life	> 100 mating cycles
绝缘电阻 Insulation resistance	≥100MΩ		
接触电阻 Contact resistance	≤5mΩ		
运行温度 Ambient temperature	- 40 ~ + 105°C		
防护等级 IP Class	IP67		

针数 Number of Pins		03 Pin	04 Pin	05 Pin	06 Pin	08 Pin
编码 Coding	编码 Coded	A-Coded	A-Coded	B-Coded	A-Coded	A-Coded
	正面图 Front View					
额定电流 Rated current	A.	3A	3A	3A	1.5A	1.5A
额定电压 Rated voltage	V.	60V	60V	30V	30V	30V
描述 Description	订单号 Order NO.	SD-M8A-03P-MM-SF7003-00AH	SD-M8A-04P-MM-SF7003-00AH	SD-M8B-05P-MM-SF7003-00AH	SD-M8A-06P-MM-SF7003-00AH	SD-M8A-08P-MM-SF7003-00AH
定制化 Customized

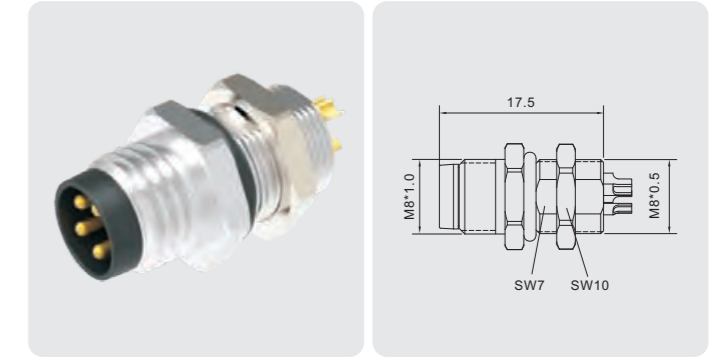
尺寸图 Dimension Figure



安装尺寸 Panel Cut-Out

M8 x 1 针式面板安装插座，板前安装，非屏蔽，焊杯不带线。

M8 x 1 Male Panel Mount Receptacle, Front Mounting, Unshielded, Soldering without wire.

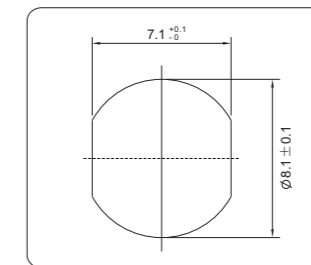


技术数据 Technical Data

标准 Standard	IEC 61076	端子载体材料 Contact carriers material	PA
系列 Series	M8, Male	端子材料 Contact material	Copper Alloy, Gold-plated
Pin针数量 Number of Pins	03,04,05,06,08 Pin	金属螺母 Metal of nut	Copper Alloy with Nickel Plated
额定电流 Rated Current	3A max.	胶圈 Seal	Silicone
额定电压 Rated voltage	60V max.	机械寿命 Mechanical life	> 100 mating cycles
绝缘电阻 Insulation resistance	≥100MΩ		
接触电阻 Contact resistance	≤5mΩ		
运行温度 Ambient temperature	- 40 ~ + 105°C		
防护等级 IP Class	IP67		

针数 Number of Pins		03 Pin	04 Pin	05 Pin	06 Pin	08 Pin
编码 Coding	编码 Coded	A-Coded	A-Coded	B-Coded	A-Coded	A-Coded
	正面图 Front View					
额定电流 Rated current	A.	3A	3A	3A	1.5A	1.5A
额定电压 Rated voltage	V.	60V	60V	30V	30V	30V
描述 Description	订单号 Order NO.	SD-M8A-03P-MM-SH7002-00AH	SD-M8A-04P-MM-SH7002-00AH	SD-M8B-05P-MM-SH7002-00AH	SD-M8A-06P-MM-SH7002-00AH	SD-M8A-08P-MM-SH7002-00AH
定制化 Customized

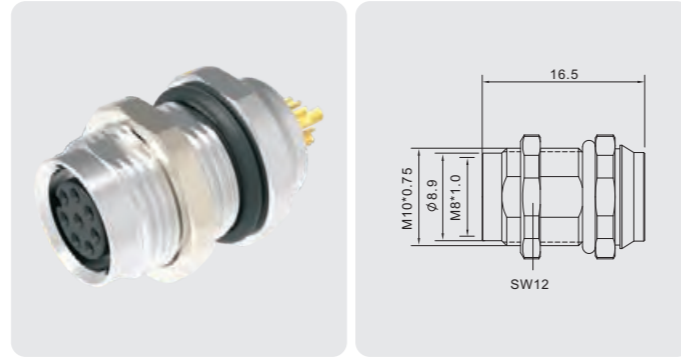
尺寸图 Dimension Figure



安装尺寸 Panel Cut-Out

M8 x 1 孔式面板安装插座，板后安装，非屏蔽，焊杯不带线。

M8 x 1 Female Panel Mount Receptacle, Rear Mounting, Unshielded, Soldering without wire.

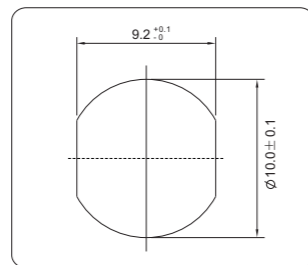


技术数据 Technical Data

标准 Standard	IEC 61076	端子载体材料 Contact carriers material	PA
系列 Series	M8, Female	端子材料 Contact material	Copper Alloy, Gold-plated
Pin针数量 Number of Pins	03,04,05,06,08 Pin	金属螺母 Metal of nut	Copper Alloy with Nickel Plated
额定电流 Rated Current	3A max.	胶圈 Seal	Silicone
额定电压 Rated voltage	60V max.	机械寿命 Mechanical life	> 100 mating cycles
绝缘电阻 Insulation resistance	≥100MΩ	—	—
接触电阻 Contact resistance	≤5mΩ	—	—
运行温度 Ambient temperature	- 40 ~ + 105°C	—	—
防护等级 IP Class	IP67	—	—

针数 Number of Pins		03 Pin	04 Pin	05 Pin	06 Pin	08 Pin
编码 Coding	编码 Coded	A-Coded	A-Coded	B-Coded	A-Coded	A-Coded
	正面图 Front View					
额定电流 Rated current	A.	3A	3A	3A	1.5A	1.5A
额定电压 Rated voltage	V.	60V	60V	30V	30V	30V
描述 Description	订单号 Order NO.	SD-M8A-03P-FF-SF7001-00AH	SD-M8A-04P-FF-SF7001-00AH	SD-M8B-05P-FF-SF7001-00AH	SD-M8A-06P-FF-SF7001-00AH	SD-M8A-08P-FF-SF7001-00AH
定制化 Customized

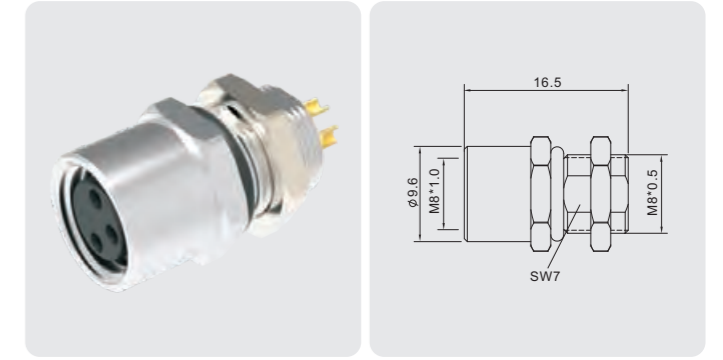
尺寸图 Dimension Figure



安装尺寸 Panel Cut-Out

M8 x 1 孔式面板安装插座，板前安装，非屏蔽，焊杯不带线。

M8 x 1 Female Panel Mount Receptacle, Front Mounting, Unshielded, Soldering without wire.

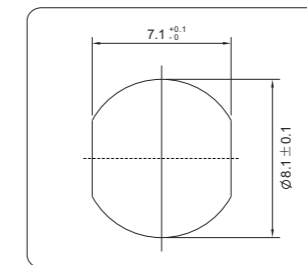


技术数据 Technical Data

标准 Standard	IEC 61076	端子载体材料 Contact carriers material	PA
系列 Series	M8, Female	端子材料 Contact material	Copper Alloy, Gold-plated
Pin针数量 Number of Pins	03,04,05,06,08 Pin	金属螺母 Metal of nut	Copper Alloy with Nickel Plated
额定电流 Rated Current	3A max.	胶圈 Seal	Silicone
额定电压 Rated voltage	60V max.	机械寿命 Mechanical life	> 100 mating cycles
绝缘电阻 Insulation resistance	≥100MΩ	—	—
接触电阻 Contact resistance	≤5mΩ	—	—
运行温度 Ambient temperature	- 40 ~ + 105°C	—	—
防护等级 IP Class	IP67	—	—

针数 Number of Pins		03 Pin	04 Pin	05 Pin	06 Pin	08 Pin
编码 Coding	编码 Coded	A-Coded	A-Coded	B-Coded	A-Coded	A-Coded
	正面图 Front View					
额定电流 Rated current	A.	3A	3A	3A	1.5A	1.5A
额定电压 Rated voltage	V.	60V	60V	30V	30V	30V
描述 Description	订单号 Order NO.	SD-M8A-03P-FF-SH7002-00AH	SD-M8A-04P-FF-SH7002-00AH	SD-M8B-05P-FF-SH7002-00AH	SD-M8A-06P-FF-SH7002-00AH	SD-M8A-08P-FF-SH7002-00AH
定制化 Customized

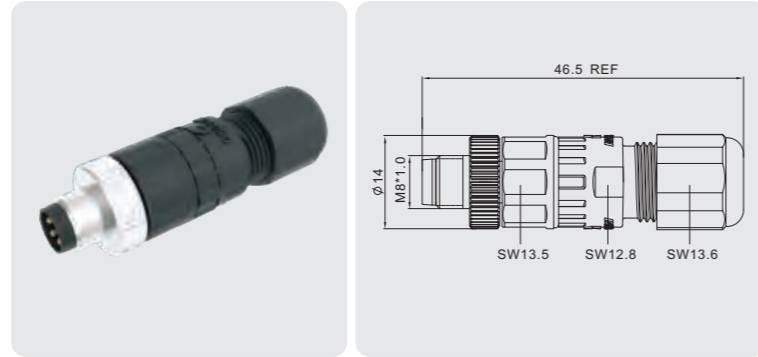
尺寸图 Dimension Figure



安装尺寸 Panel Cut-Out

M8 x 1 针式现场组装插头。非屏蔽，螺钉连接，直头。

M8 x 1 Male Field Assembly Plug. Unshielded, Screw Connection, Straight.

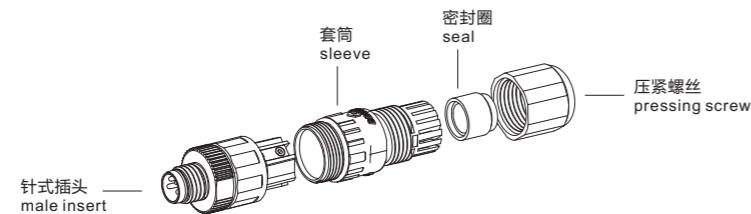


技术数据 Technical Data

标准 Standard	IEC 61076	端子载体材料 Contact carriers material	PA
系列 Series	M8, Male	端子材料 Contact material	Copper Alloy, Gold-plated
Pin针数量 Number of Pins	03,04 Pin	金属螺母 Metal of nut	Copper Alloy with Nickel Plated
额定电流 Rated Current	3A max.	胶圈 Seal	Silicone
额定电压 Rated voltage	60V max.	屏蔽 Shielding	Unshielded
绝缘电阻 Insulation resistance	≥100MΩ	机械寿命 Mechanical life	> 100 mating cycles
接触电阻 Contact resistance	≤5mΩ	—	—
运行温度 Ambient temperature	- 40 ~ +85°C	—	—
防护等级 IP Class	IP67	—	—

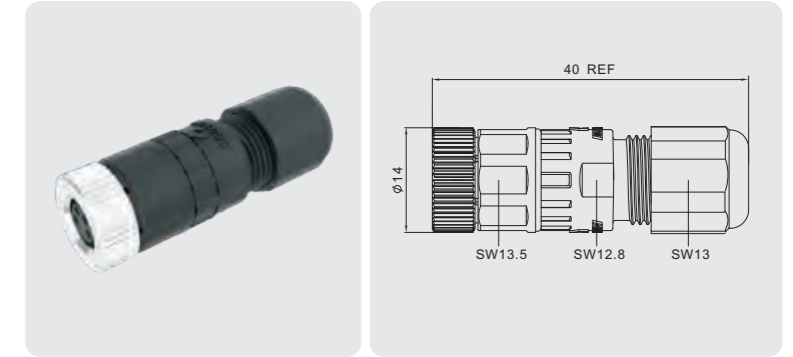
针数 Number of Pins		03 Pin	04 Pin
编码 Coded	编码 Coded	A-Coded	A-Coded
	正面图 Front View		
额定电流 Rated current	A.	3A	3A
额定电压 Rated voltage	V.	60V	60V
描述 Description		订单号 Order NO .	订单号 Order NO .
—		PB-M8A-03P-MM-SL7001-00AH	PB-M8A-04P-MM-SL7001-00AH

零件图 Component part drawing



M8 x 1 孔式现场组装插头。非屏蔽，螺钉连接，直头。

M8 x 1 Female Field Assembly Plug. Unshielded, Screw Connection, Straight.

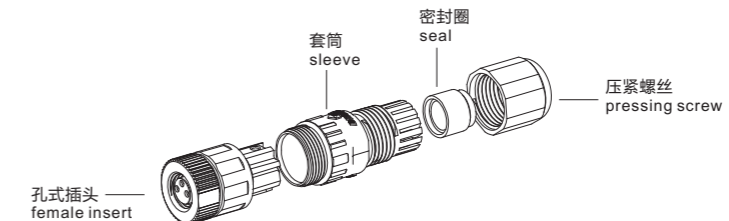


技术数据 Technical Data

标准 Standard	IEC 61076	端子载体材料 Contact carriers material	PA
系列 Series	M8, Female	端子材料 Contact material	Copper Alloy, Gold-plated
Pin针数量 Number of Pins	03,04 Pin	金属螺母 Metal of nut	Copper Alloy with Nickel Plated
额定电流 Rated Current	3A max.	胶圈 Seal	Silicone
额定电压 Rated voltage	60V max.	屏蔽 Shielding	Unshielded
绝缘电阻 Insulation resistance	≥100MΩ	机械寿命 Mechanical life	> 100 mating cycles
接触电阻 Contact resistance	≤5mΩ	—	—
运行温度 Ambient temperature	- 40 ~ +85°C	—	—
防护等级 IP Class	IP67	—	—

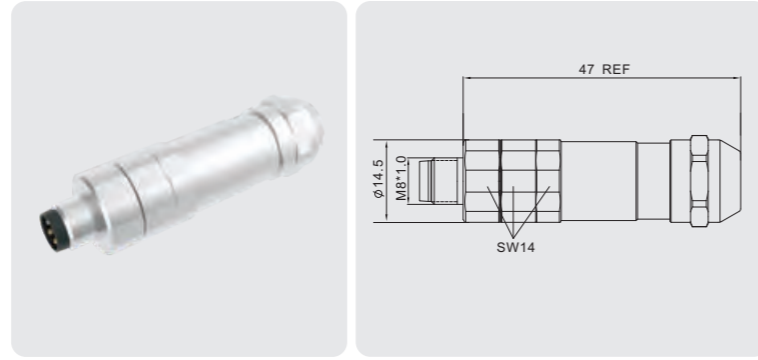
针数 Number of Pins		03 Pin	04 Pin
编码 Coded	编码 Coded	A-Coded	A-Coded
	正面图 Front View		
额定电流 Rated current	A.	3A	3A
额定电压 Rated voltage	V.	60V	60V
描述 Description		订单号 Order NO .	订单号 Order NO .
—		PB-M8A-03P-FF-SL7001-00AH	PB-M8A-04P-FF-SL7001-00AH

零件图 Component part drawing



M8 x 1 针式现场组装插头。屏蔽，螺钉连接，直头。

M8 x 1 Male Field Assembly Plug. Shielded, Screw Connection, Straight.

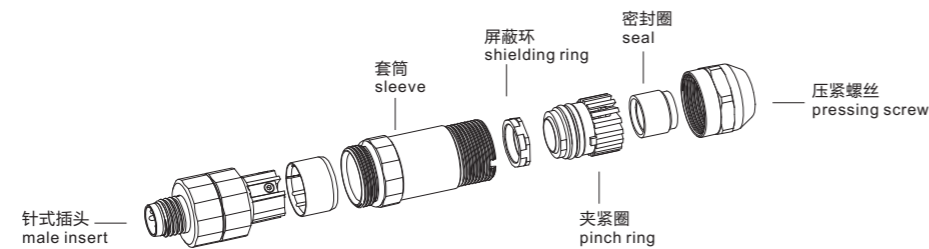


技术数据 Technical Data

标准 Standard	IEC 61076	端子载体材料 Contact carriers material	PA
系列 Series	M8, Male	端子材料 Contact material	Copper Alloy, Gold-plated
Pin针数量 Number of Pins	03,04 Pin	金属螺母 Metal of nut	Copper Alloy with Nickel Plated
额定电流 Rated Current	3A max.	胶圈 Seal	Silicone
额定电压 Rated voltage	60V max.	屏蔽 Shielding	Shielded
绝缘电阻 Insulation resistance	≥100MΩ	机械寿命 Mechanical life	> 100 mating cycles
接触电阻 Contact resistance	≤5mΩ	—	—
运行温度 Ambient temperature	- 40 ~ +85°C	—	—
防护等级 IP Class	IP67	—	—

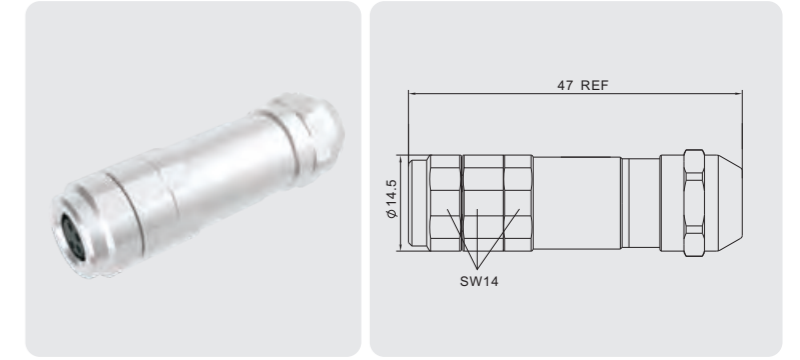
针数 Number of Pins		03 Pin	04 Pin
编码 Coded	编码 Coded	A-Coded	A-Coded
	正面图 Front View		
额定电流 Rated current	A.	3A	3A
额定电压 Rated voltage	V.	60V	60V
描述 Description		订单号 Order NO .	订单号 Order NO .
—		PBSH-M8A-03P-MM-SL7001-00AH	PBSH-M8A-04P-MM-SL7001-00AH

零件图 Component part drawing



M8 x 1 孔式现场组装插头。屏蔽，螺钉连接，直头。

M8 x 1 Female Field Assembly Plug. Shielded, Screw Connection, Straight.

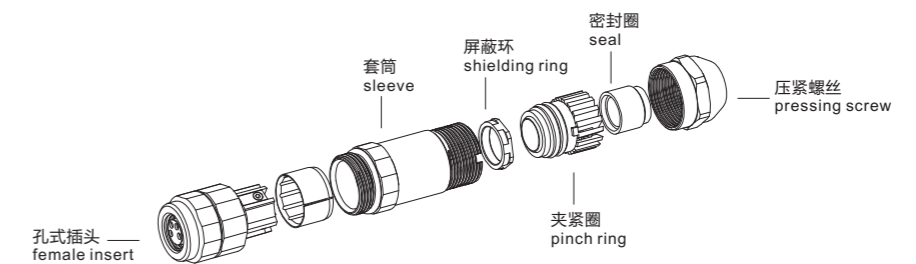


技术数据 Technical Data

标准 Standard	IEC 61076	端子载体材料 Contact carriers material	PA
系列 Series	M8, Female	端子材料 Contact material	Copper Alloy, Gold-plated
Pin针数量 Number of Pins	03,04 Pin	金属螺母 Metal of nut	Copper Alloy with Nickel Plated
额定电流 Rated Current	3A max.	胶圈 Seal	Silicone
额定电压 Rated voltage	60V max.	屏蔽 Shielding	Shielded
绝缘电阻 Insulation resistance	≥100MΩ	机械寿命 Mechanical life	> 100 mating cycles
接触电阻 Contact resistance	≤5mΩ	—	—
运行温度 Ambient temperature	- 40 ~ +85°C	—	—
防护等级 IP Class	IP67	—	—

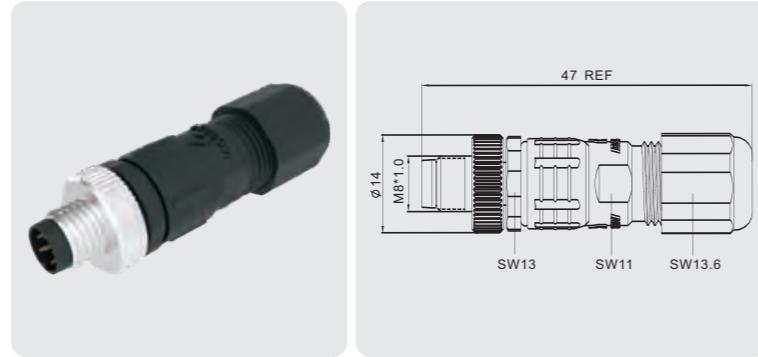
针数 Number of Pins		03 Pin	04 Pin
编码 Coded	编码 Coded	A-Coded	A-Coded
	正面图 Front View		
额定电流 Rated current	A.	3A	3A
额定电压 Rated voltage	V.	60V	60V
描述 Description		订单号 Order NO .	订单号 Order NO .
—		PBSH-M8A-03P-FF-SL7001-00AH	PBSH-M8A-04P-FF-SL7001-00AH

零件图 Component part drawing



M8 x 1 针式现场组装插头。非屏蔽，焊接式，直头。

M8 x 1 Male Field Assembly Plug. Unshielded, Soldering Connection, Straight.

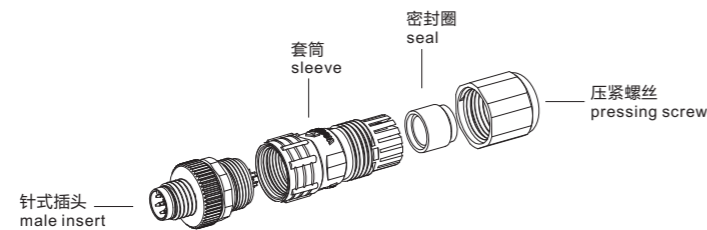


技术数据 Technical Data

标准 Standard	IEC 61076	端子载体材料 Contact carriers material	PA
系列 Series	M8, Male	端子材料 Contact material	Copper Alloy, Gold-plated
Pin针数量 Number of Pins	03,04,05,06,08 Pin	金属螺母 Metal of nut	Copper Alloy with Nickel Plated
额定电流 Rated Current	3A max.	胶圈 Seal	Silicone
额定电压 Rated voltage	60V max.	屏蔽 Shielding	Unshielded
绝缘电阻 Insulation resistance	≥100MΩ	机械寿命 Mechanical life	> 100 mating cycles
接触电阻 Contact resistance	≤5mΩ	—	—
运行温度 Ambient temperature	- 40 ~ +85°C	—	—
防护等级 IP Class	IP67	—	—

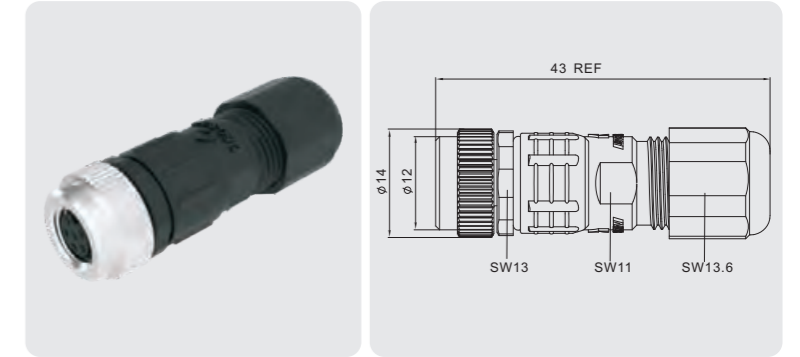
针数 Number of Pins		03 Pin	04 Pin	05 Pin	06 Pin	08 Pin
编码 Coding	编码 Coded	A-Coded	A-Coded	B-Coded	A-Coded	A-Coded
	正面图 Front View					
额定电流 Rated current	A.	3A	3A	3A	1.5A	1.5A
额定电压 Rated voltage	V.	60V	60V	30V	30V	30V
描述 Description	订单号 Order NO.	订单号 Order NO.	订单号 Order NO.	订单号 Order NO.	订单号 Order NO.	订单号 Order NO.
—	PA-M8A-03P-MM-SL7001-00AH	PA-M8A-04P-MM-SL7001-00AH	PA-M8B-05P-MM-SL7001-00AH	PA-M8A-06P-MM-SL7001-00AH	PA-M8A-08P-MM-SL7001-00AH	

零件图 Component part drawing



M8 x 1 孔式现场组装插头。非屏蔽，焊接式，直头。

M8 x 1 Female Field Assembly Plug. Unshielded, Soldering Connection, Straight.

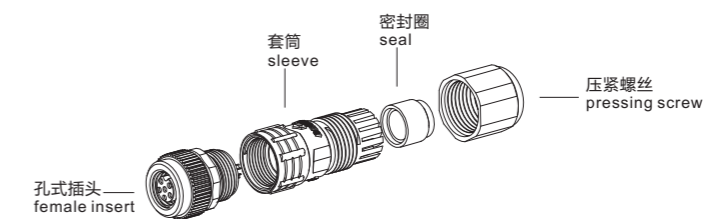


技术数据 Technical Data

标准 Standard	IEC 61076	端子载体材料 Contact carriers material	PA
系列 Series	M8, Female	端子材料 Contact material	Copper Alloy, Gold-plated
Pin针数量 Number of Pins	03,04,05,06,08 Pin	金属螺母 Metal of nut	Copper Alloy with Nickel Plated
额定电流 Rated Current	3A max.	胶圈 Seal	Silicone
额定电压 Rated voltage	60V max.	屏蔽 Shielding	Unshielded
绝缘电阻 Insulation resistance	≥100MΩ	机械寿命 Mechanical life	> 100 mating cycles
接触电阻 Contact resistance	≤5mΩ	—	—
运行温度 Ambient temperature	- 40 ~ +85°C	—	—
防护等级 IP Class	IP67	—	—

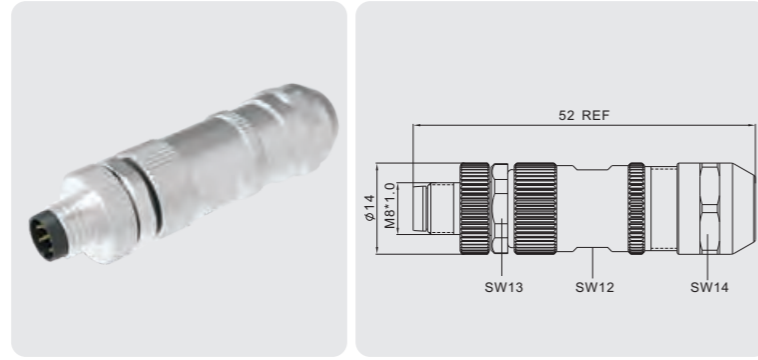
针数 Number of Pins		03 Pin	04 Pin	05 Pin	06 Pin	08 Pin
编码 Coding	编码 Coded	A-Coded	A-Coded	B-Coded	A-Coded	A-Coded
	正面图 Front View					
额定电流 Rated current	A.	3A	3A	3A	1.5A	1.5A
额定电压 Rated voltage	V.	60V	60V	30V	30V	30V
描述 Description	订单号 Order NO.	订单号 Order NO.	订单号 Order NO.	订单号 Order NO.	订单号 Order NO.	订单号 Order NO.
—	PA-M8A-03P-FF-SL7001-00AH	PA-M8A-04P-FF-SL7001-00AH	PA-M8B-05P-FF-SL7001-00AH	PA-M8A-06P-FF-SL7001-00AH	PA-M8A-08P-FF-SL7001-00AH	

零件图 Component part drawing



M8 x 1 针式现场组装插头。屏蔽，焊接式，直头。

M8 x 1 Male Field Assembly Plug. Shielded, Soldering Connection, Straight.

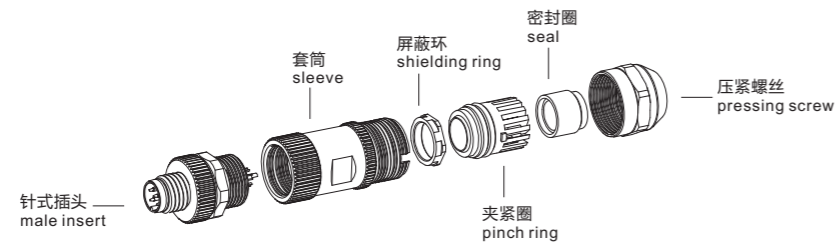


技术数据 Technical Data

标准 Standard	IEC 61076	端子载体材料 Contact carriers material	PA
系列 Series	M8, Male	端子材料 Contact material	Copper Alloy, Gold-plated
Pin针数量 Number of Pins	03,04,05,06,08Pin	金属螺母 Metal of nut	Copper Alloy with Nickel Plated
额定电流 Rated Current	3A max.	胶圈 Seal	Silicone
额定电压 Rated voltage	60V max.	屏蔽 Shielding	Shielded
绝缘电阻 Insulation resistance	≥100MΩ	机械寿命 Mechanical life	> 100 mating cycles
接触电阻 Contact resistance	≤5mΩ	—	—
运行温度 Ambient temperature	- 40 ~ +85°C	—	—
防护等级 IP Class	IP67	—	—

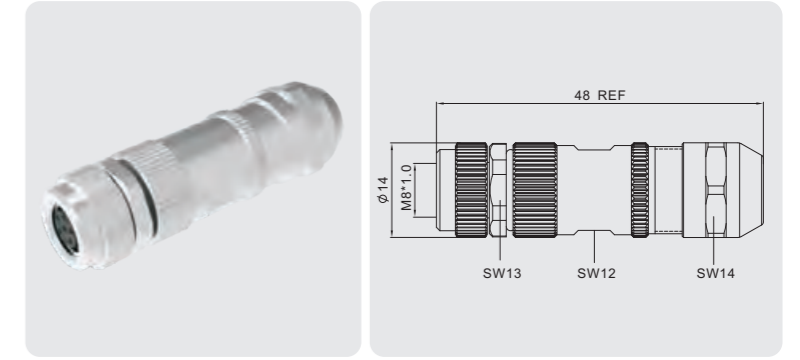
针数 Number of Pins		03 Pin	04 Pin	05 Pin	06 Pin	08 Pin
编码 Coding	编码 Coded	A-Coded	A-Coded	B-Coded	A-Coded	A-Coded
	正面图 Front View					
额定电流 Rated current	A.	3A	3A	3A	1.5A	1.5A
额定电压 Rated voltage	V.	60V	60V	30V	30V	30V
描述 Description	订单号 Order NO.	订单号 Order NO.	订单号 Order NO.	订单号 Order NO.	订单号 Order NO.	订单号 Order NO.
—	PASH-M8A-03P-MM-SL7001-00AH	PASH-M8A-04P-MM-SL7001-00AH	PASH-M8B-05P-MM-SL7001-00AH	PASH-M8A-06P-MM-SL7001-00AH	PASH-M8A-08P-MM-SL7001-00AH	

零件图 Component part drawing



M8 x 1 孔式现场组装插头。屏蔽，焊接式，直头。

M8 x 1 Female Field Assembly Plug. Shielded, Soldering Connection, Straight.



技术数据 Technical Data

标准 Standard	IEC 61076	端子载体材料 Contact carriers material	PA
系列 Series	M8, Female	端子材料 Contact material	Copper Alloy, Gold-plated
Pin针数量 Number of Pins	03,04,05,06,08 Pin	金属螺母 Metal of nut	Copper Alloy with Nickel Plated
额定电流 Rated Current	3A max.	胶圈 Seal	Silicone
额定电压 Rated voltage	60V max.	屏蔽 Shielding	Shielded
绝缘电阻 Insulation resistance	≥100MΩ	机械寿命 Mechanical life	> 100 mating cycles
接触电阻 Contact resistance	≤5mΩ	—	—
运行温度 Ambient temperature	- 40 ~ +85°C	—	—
防护等级 IP Class	IP67	—	—

针数 Number of Pins		03 Pin	04 Pin	05 Pin	06 Pin	08 Pin
编码 Coding	编码 Coded	A-Coded	A-Coded	B-Coded	A-Coded	A-Coded
	正面图 Front View					
额定电流 Rated current	A.	3A	3A	3A	1.5A	1.5A
额定电压 Rated voltage	V.	60V	60V	30V	30V	30V
描述 Description	订单号 Order NO.	订单号 Order NO.	订单号 Order NO.	订单号 Order NO.	订单号 Order NO.	订单号 Order NO.
—	PASH-M8A-03P-FF-SL7001-00AH	PASH-M8A-04P-FF-SL7001-00AH	PASH-M8B-05P-FF-SL7001-00AH	PASH-M8A-06P-FF-SL7001-00AH	PASH-M8A-08P-FF-SL7001-00AH	

零件图 Component part drawing

